

**SPECIFICATIONS**

**Mechanical**

**Contact Retention Force:** 1.0Kg min.

**Electrical**

**Voltage Rating:** 750V

**Current Rating:** 1A

**Contact Resistance:** 45mΩ max.

**Dielectrical Withstanding Voltage:** 1000V

**Insulation Resistance:** 1000MΩ min.

**Physical**

**Housing:** LCP, UL 94-0 rated, Ivory White

**Contact:** Phosphor Bronze

**Plating:** See "ORDERING INFORMATION"

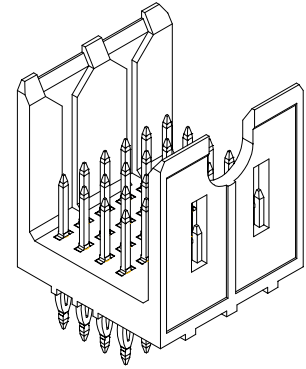
**FUTURE BUS CONNECTOR**

**1F Series**

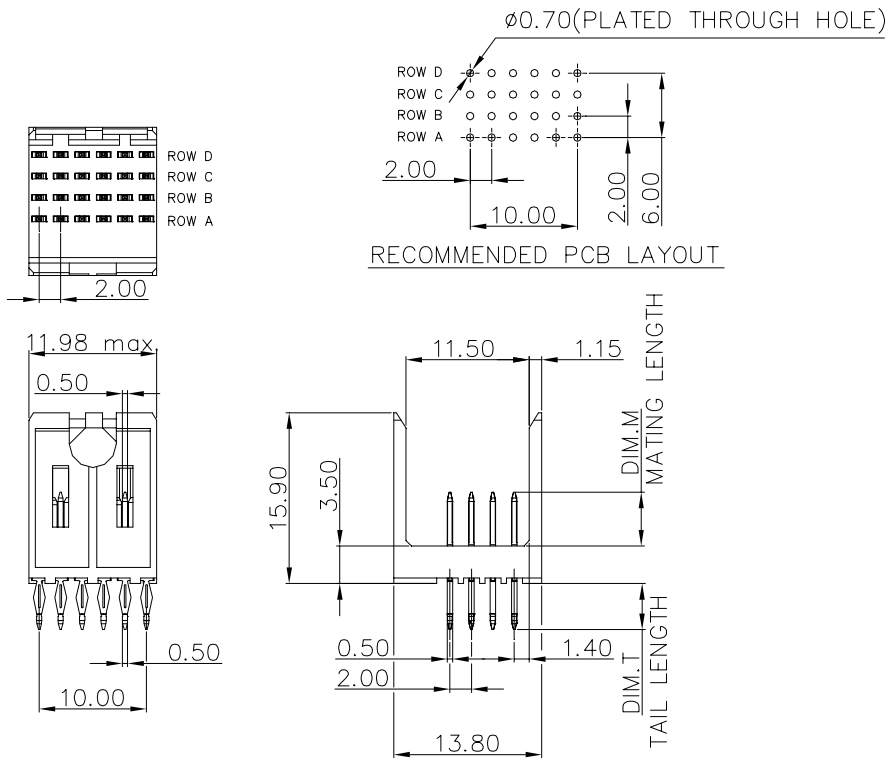
**Header Press Fit Type**

**2.0mm Pitch**

**4 Rows**



**DRAWING**



**ORDERING INFORMATION**

**PRODUCT NO.:** 1 F 1 1 \* \* \* \* - P \* \* A 0 \* - \* \*

- POS. NO.: 024=024 pos.
- Mating Area Plating: 1=GOLD FLASH, 3=0.76um(30u")MIN. GOLD PLATING, 5=1.27um(50u")MIN. GOLD PLATING, 6=0.25um(10u")MIN. GOLD PLATING, A=0.76um(30u")MIN. FPT PLATING, 0.25um(10u")MIN. GOLD INCLUDED
- Tail Style: P=Press Fit
- Tail Length(DIM.T) 1=4.30mm
- Lead Free Code: N=None, F=Lead Free
- Package Type: A=Tube
- Extension Code: N,T,L,M,A,B
- BODY STYLE A0=Standard Part
- Mating Length(DIM.M) 1=5.00 mm, 2=5.75 mm, 3=6.50 mm, 4=7.25 mm, 5=8.00 mm