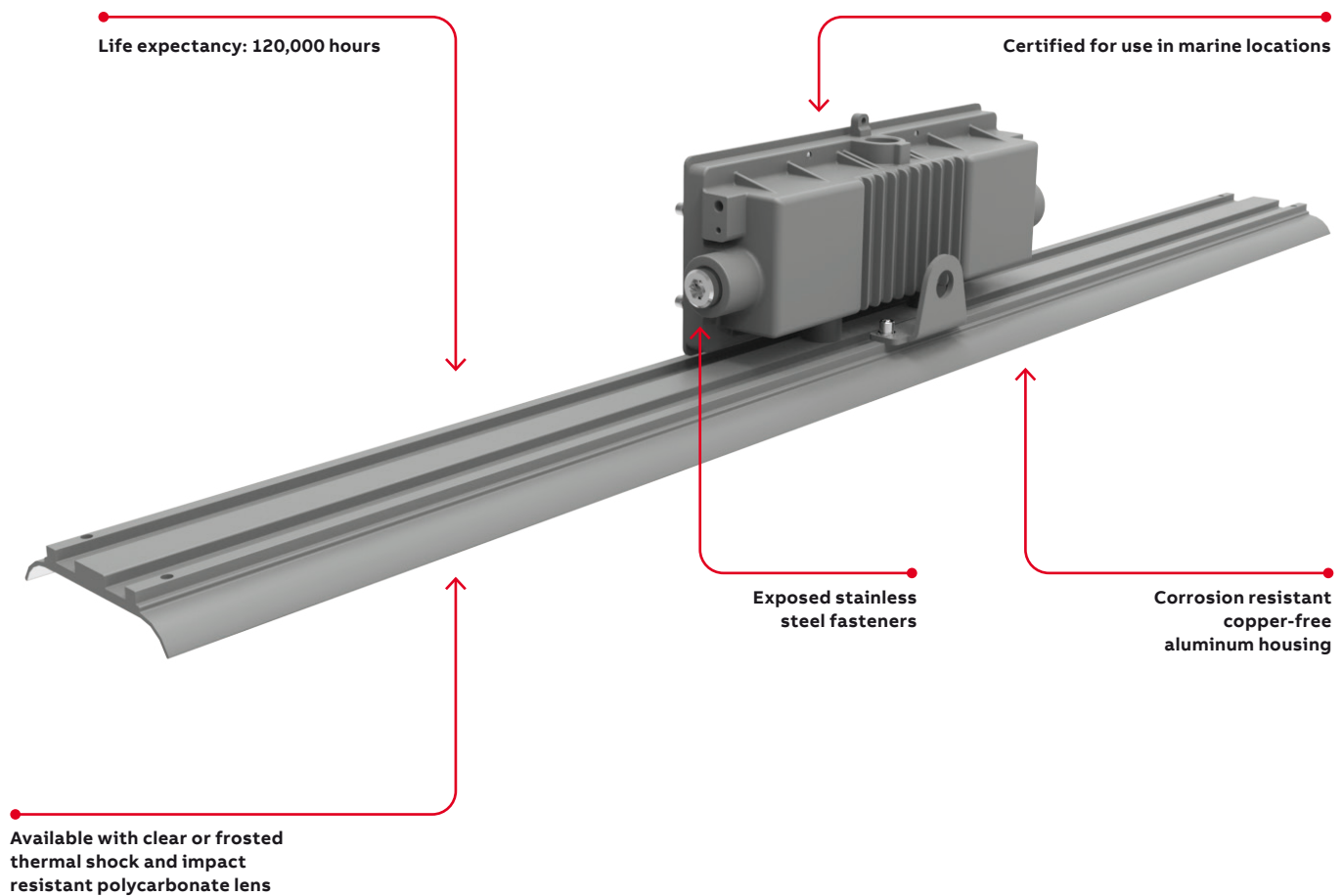


XLN16 Series

The XLN16 Series is a slim, shock and vibration resistant fixture made of copper-free aluminum. This durable product has exposed hardware made from stainless steel and is suitable for marine and wet locations.



CERTIFICATION

CLASS I

Division 2 Group A, B, C, D

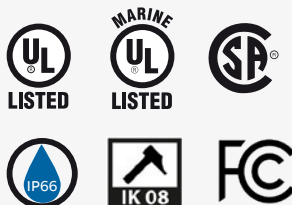
CLASS II

Division 1 Group E, F, G

CLASS III

Classification may vary depending on the product configuration. Please follow catalogue information and exceptions.

APPROVALS



APPLICATIONS

Power plants
 Paper mills
 Wastewater treatment plants
 Loading docks
 Chemical processing
 Storage facilities

XLN16 Series

Key features and information

Features

- Operating temperature: -40°F to 122°F (-40°C +50°C) optimal 77°F (25°C)
- Exposed hardware made of stainless steel
- Slim and compact design

Housing

- Housing made of copper-free aluminum
- Anti-corrosion housing (tested for 1000hrs)
- Shock and impact resistant polycarbonate lens
- Lens tested to IK08

LED

- Efficacy: up to 137 Lm/W
- Lumen output: from 5,480 lumens to 10,960 lumens
- Meanwell LED's
- UL 8750 LED safety
- CRI Ra>70
- Correlated Color Temperature (CCT): 5000K (standard), 3000K and 4000K

Electrical

- Operating voltage: universal 120-277 VAC, 347-480 VAC (50/60Hz)
- Power factor 0.95
- Driver efficiency 90%
- THD <20%
- Surge protection standard at 4KV (Contact your sales representative if high protection is required.)

Mounting

- Pendant mount
- Optional yoke/pipe bracket for wall/ceiling or pole mount
- Chain mount ("Chain" supplied by others)

Approvals

- UL844 & CSA C22.2 No. 137-M1981
- UL 1598A marine
- UL 1598 wet locations
- UL 8750 LED safety
- FCC
- IP66
- IK08
- 5G (shock and vibration resistant)
- 1000hrs salt spray

Warranty

- 5 years

T-code chart

Fixture	40 watt	80 watt
C1D2	T3C	T3C
CIID1	T4A	T4A

Electrical specifications

Specification	XLN16-4	XLN16-8
Rated power	40W	80W
Input voltage	120-277V, 347-480V	
Input frequency	50/60Hz	
Input current	(120/277V) 0.34/0.16A	0.67/0.32A
	(347/480V) 0.13/0.09A	0.25/0.18A

Lighting output

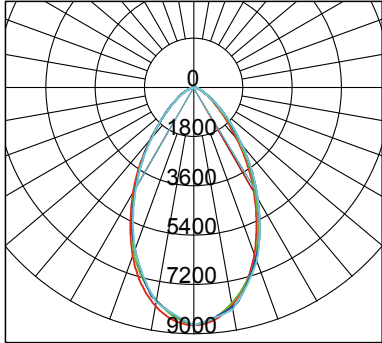
Fixture	40 watt	80 watt
Lumen output	5480	10960
Lumen per watt	137	137



XLN16 Series

Photometry

110 degree



- C0/180,60.8
- C30/210,60.8
- C60/240,61.3
- C90/270,61.0

BUG rating: B3-U0-G1

Mounting and optional accessories

Pendant mount (included standard)



Chain mount (compatible)



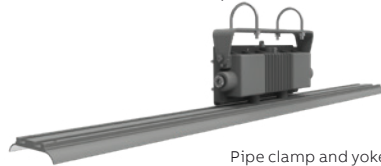
Chain supplied by others.

Yoke/pipe bracket (optional accessory)

Ceiling and wall



Stanchion mount (optional accessory)



Pipe clamp and yoke/pipe bracket required for stanchion installation. Sold separately.

Accessories



PC01-EX - Pipe clamp (1 pair)
Pipe clamp (M8*48mm) for pole Ø1-7/8" (48mm)



PC02-EX - Pipe clamp (1 pair)
Pipe clamp (M8*60mm) for pole Ø2-3/8" (60mm)



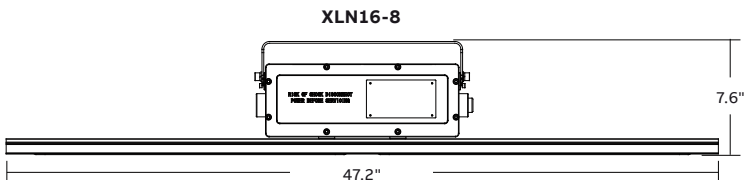
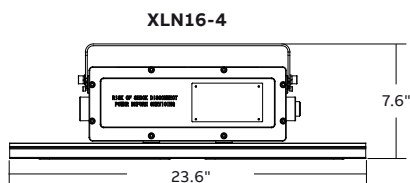
UB02-EX - Yoke/pipe bracket
(SUS 304) stainless steel



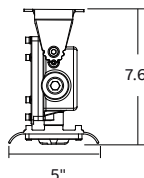
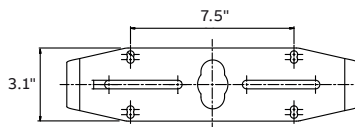
SC02-EX - Stainless steel safety cable kit

XLN16 Series

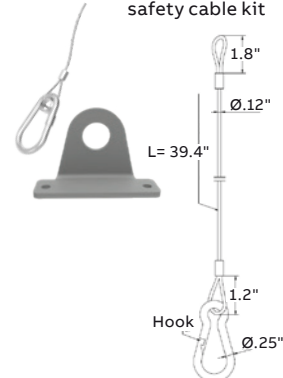
Dimensions¹



Bracket dimensions



SC02-EX - Stainless steel safety cable kit

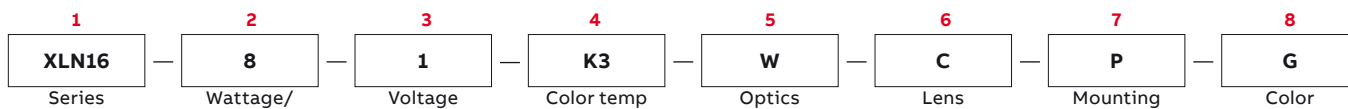


Model	Weight	Dimensions (L x W x H)
XLN16-4	5.5kg/12.1lbs	23.6 x 5.0 x 7.6 in
XLN16-8	7.6kg/16.7lbs	47.2 x 5.0 x 7.6 in

¹Dimensions are approximate and subject to change.

Numbering system

Lighting fixture



Ordering information

Part	Part number	Description
1 Series	XLN16	Linear light LED
2 Wattage/lumens	4	40W (5,480 lm)
	8	80W (10,960 lm)
3 Voltage	1	120-277V
	4	347-480V
4 Color temp	K3	3000K ¹
	K4	4000K ¹
	K5	5000K (standard)
5 Optics	W	110°
6 Lens	C	Clear polycarbonate
	F	Frosted polycarbonate ¹
7 Mounting	P	NPT 3/4 pendant mount
	U	NPT 3/4 pendant mount + yoke bracket
8 Color	G	Gray

¹Longer lead time, contact your sales representative for more details

Accessories (sold separately)

PC01-EX	Pipe clamp (1 pair) Pipe clamp (M8*48mm) for pole Ø 1-7/8" (48mm)
PC02-EX	Pipe clamp (1 pair) Pipe clamp (M8*60mm) for pole Ø 2-3/8" (60mm)
SC02-EX	Stainless steel safety cable kit
UB02-EX	Yoke/pipe bracket (SUS 304) stainless steel