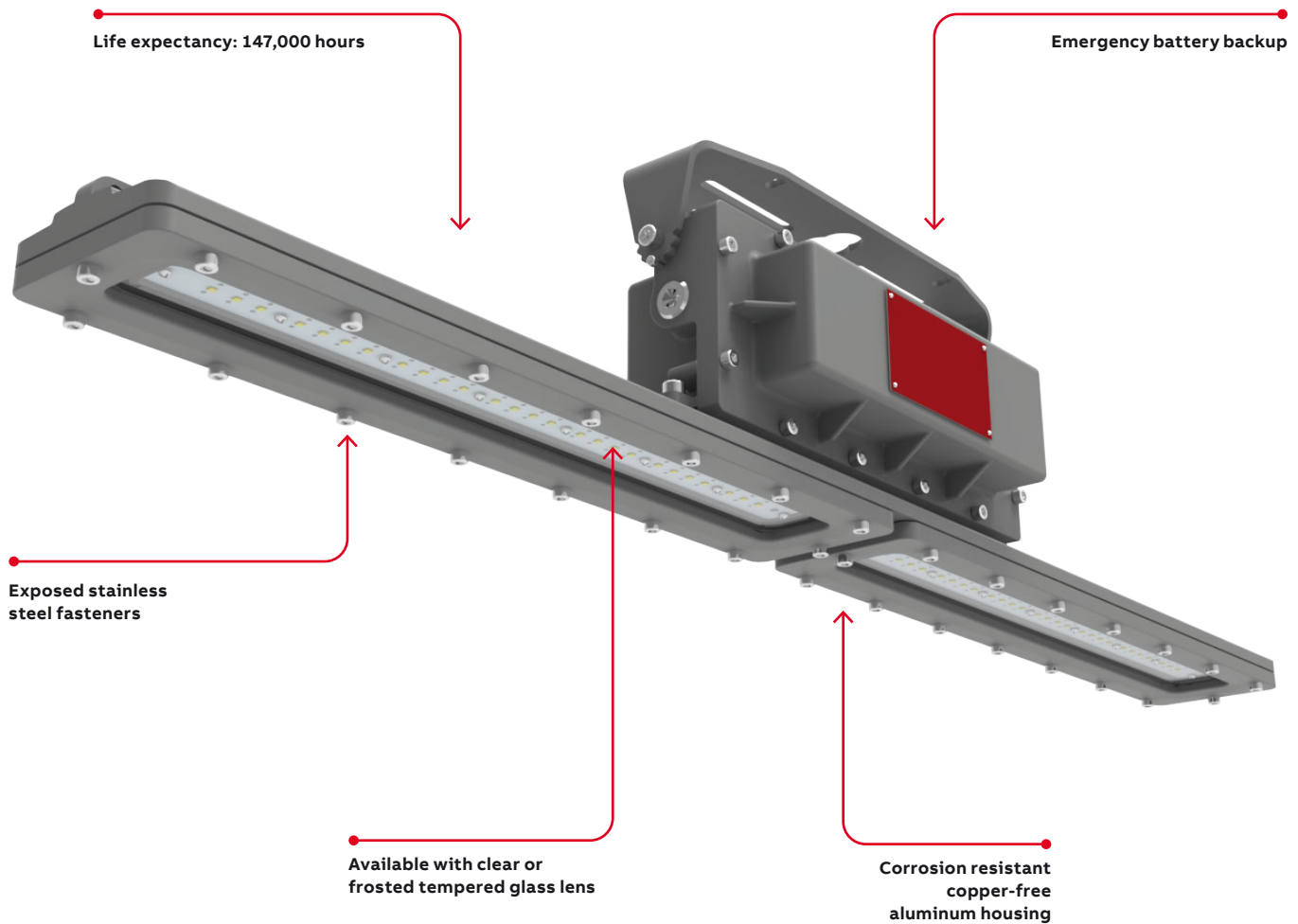


XLN17-EM Series

Versatile, shock-resistant, and explosion-proof lighting with a slim design, the XLN17-EM Series can be mounted on a wall, ceiling, and pole in various hazardous locations, ranging from mines to petrochemical facilities.



CERTIFICATION

CLASS I
 Division 1 Group C, D
 Classification may vary depending on the product configuration. Please follow catalogue information and exceptions.

APPROVALS



APPLICATIONS

- Mining
- Paper mills
- Chemical/industrial facilities
- Wastewater treatment plants
- Petrochemical facilities

XLN17-EM Series

Key features and information

Features

- Operating temperature: -4°F to 113°F (-20°C +45°C) optimal 77°F (25°C)
- Exposed hardware made of stainless steel
- Slim and compact design
- Emergency run time: 90 minutes

Housing

- Housing made of copper-free aluminum
- Tempered glass lens is impact and thermal shock resistant

LED

- Efficacy: up to 136 Lm/W
- Lumen output: 10,800 lumens
- OSRAM LED's
- CRI Ra>70
- Correlated Color Temperature (CCT): 5000K (standard)

Electrical

- Operating voltage: 120-277 VAC (50/60Hz)
- Power factor 0.95
- Driver efficiency 90%
- THD <20%
- Surge protection standard up to 10KV (Contact your sales representative if high protection is required.)

Mounting

- Pendant mount
- Optional yoke/pipe bracket for wall/ceiling or pole mount
- Chain mount ("Chain" supplied by others)

Approvals

- UL 844
- UL924
- CSA C22.2 No. 141-15
- CSA C22.2 No. 137
- CSA C22.2 No. 30
- CSA C22.2 No.250.0
- CSA C22.2 No.250.13
- IP66
- 5G (shock and vibration resistant)
- 1000hrs salt spray

Warranty

- 5 years

T-code chart

Fixture	80 watt
C1D1	T6

Electrical specifications

Specification	XLN17-EM-8 (battery backup)
Rated power	80W (6W)
Input voltage	120-277V only (50/60Hz)
Battery	Nickel-cadmium
Expected battery life	5 years
Charge time	24 hours
Emergency run time	90 min.
Input current (standard mode)	0.67/0.29A (AC120/277V)

Lighting output

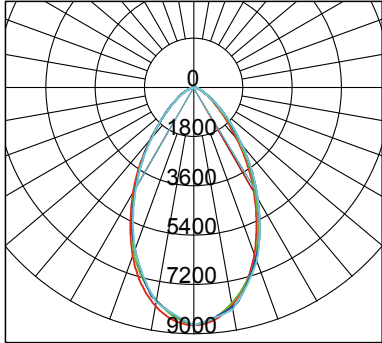
Fixture	80 watt
Lumen output - normal mode	10,800
Lumen output - emergency mode	812
Lumen per watt - normal mode	136



XLN17-EM Series

Photometry

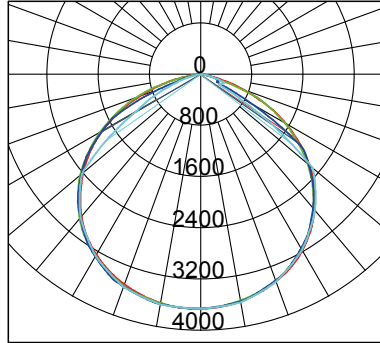
60 degree



- C0/180,60.8
- C30/210,60.8
- C60/240,61.3
- C90/270,61.0

BUG rating: B3-U0-G2

110 degree

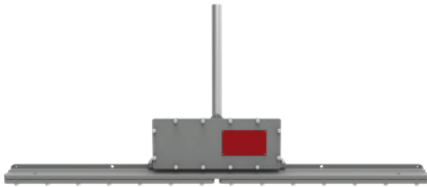


- C0/180,115.0
- C30/210,115.0
- C60/240,114.0
- C90/270,107.0

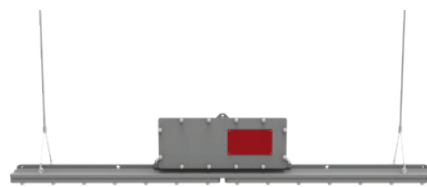
BUG rating: B3-U0-G2

Mounting and optional accessories

Pendant mount (included standard)

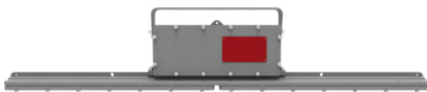


Chain mount (compatible)

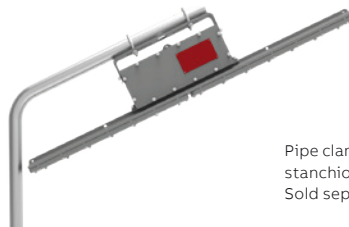


Chain supplied by others.

Ceiling & wall mount (optional accessory)



Stanchion mount (optional accessory)



Pipe clamp and yoke/pipe bracket required for stanchion installation. Sold separately.

Accessories



PC01-EX - Pipe clamp (1 pair)
Pipe clamp (M8*48mm) for pole Ø 1-7/8" (48mm)



PC02-EX - Pipe clamp (1 pair)
Pipe clamp (M8*60mm) for pole Ø 2-3/8" (60mm)



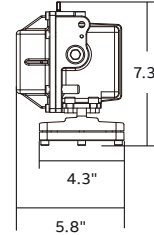
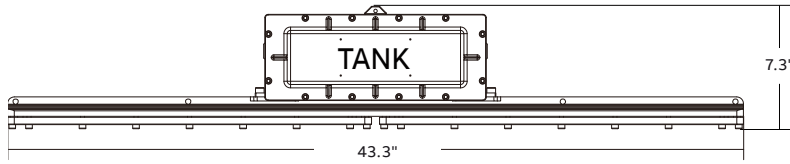
UB02-EX - Yoke/pipe bracket (SUS 304) stainless steel



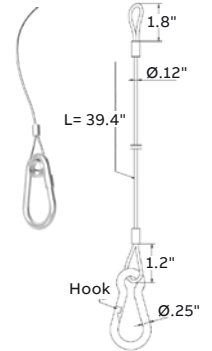
SC04-EX - Stainless steel safety cable kit

XLN17-EM Series

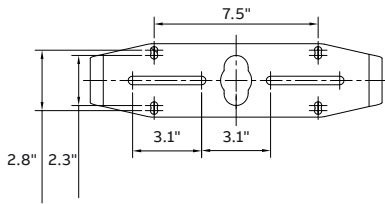
Dimensions¹



SC04-EX - Stainless steel safety cable kit



Bracket dimensions

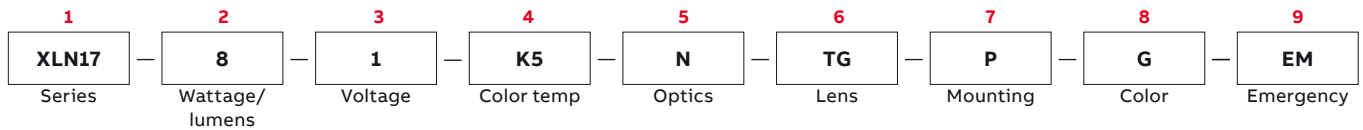


Model	Weight	Dimensions (L x W x H)
XLN17-EM-8	12.2kg/26.9lbs	43.3 x 5.8 x 7.3 in

¹Dimensions are approximate and subject to change.

Numbering system

Lighting fixture



Ordering information

Part	Part number	Description
1 Series	XLN17	Linear light LED
2 Wattage/lumens	8	80W (10,800 lm)
3 Voltage	1	120-277V
4 Color temp	K5	5000K
5 Optics	N	60° ¹
	W	110° (standard)
6 Lens	TG	Clear glass
	FG	Frosted glass ¹
7 Mounting	P	NPT 3/4 pendant mount
	U	NPT 3/4 pendant mount + yoke bracket
8 Color	G	Gray
9 Emergency	EM	Emergency 90 minutes

¹Longer lead time, contact your sales representative for more details

Accessories (sold separately)

PC01-EX	Pipe clamp (1 pair) Pipe clamp (M8*48mm) for pole Ø 1-7/8" (48mm)
PC02-EX	Pipe clamp (1 pair) Pipe clamp (M8*60mm) for pole Ø 2-3/8" (60mm)
SC04-EX	Stainless steel safety cable kit
UB02-EX	Yoke/pipe bracket (SUS 304) stainless steel