

Effective: July 1999
Supersedes I.L. 41-759B dated December 1990
(|) Denotes Change Since Previous Issue

Type AR Auxiliary Relay High Threshold (High Speed)



Before putting protective relays into service, remove all blocking which may have been inserted for the purpose of securing the parts during shipment. Make sure that all moving parts operate freely. Inspect the contacts to see that they are clean and can close properly. Operate the relay to check the setting and electrical connections.

1.0 APPLICATION

The high threshold AR relay is a sensitive high speed auxiliary relay with 4 NO contacts designed to be secure against misoperation due to inadvertent grounding of a station battery or the trip lead. With the battery balanced with respect to ground, the maximum momentary voltage that can be applied to an auxiliary relay for either of these grounds is half battery voltage. The operating level of the high threshold AR exceeds these levels. The relay is not available with NC (normally closed) contacts.

2.0 CONSTRUCTION AND OPERATION

AR Unit

The relay consists of four stationary contact screws, four leaf spring moving contacts, a moving armature and card assembly, which operates the moving contacts; a U shaped laminated core, a coil, a frame, a molded insulation block and a series resistor. Refer to Figures 1 and 2 (page 6 and 6). A zener diode is connected around the coil to eliminate the genera-

tion of induced voltages upon interruption of the coil circuit.

The armature and card assembly slip over a hinge pin which is inserted in the laminations.

The moving and stationary contacts are mounted on the molded insulation block. The molded block, coil and lamination assembly are mounted to the frame. All contacts are fine silver.

When the coil and resistor are energized, the armature is attracted to the laminations. The card moves with the armature thereby operating the moving contacts. The tension of the moving contacts is the re-setting force.

High speed operation is obtained by the low inertia of the moving parts, a sensitive electromagnet, and the proper L/R ratio of the operating circuit.

Operating Indicator (OI) (When Supplied)

The dc indicating contactor switch is a small operated clapper type device. A magnetic armature is attracted to the magnetic core upon energization of the switch. During this operation, two fingers on the armature deflect a spring located on the front of the switch, which allows the operation indicator target to drop. The target is reset from the outside of the case by a push-rod located at the bottom of the cover.

The front spring, in addition to holding the target, provides restraint for the armature and thus controls the pickup value of the switch.

Indicating Contactor Switch (ICS) (When Supplied)

The indicating contactor switch is a small dc clapper type device. A magnetic armature, to which leaf-spring mounted contacts are attached, is attracted to

All possible contingencies which may arise during installation, operation or maintenance, and all details and variations of this equipment do not purport to be covered by these instructions. If further information is desired by purchaser regarding this particular installation, operation or maintenance of this equipment, the local ABB representative should be contacted.

the magnetic core upon energizing of the switch. When the switch closes, the moving contacts bridge two stationary contacts, completing the trip circuit. Also during this operation two fingers on the armature deflect a spring located on the front of the switch, allowing the operation indicator target to drop. The target is reset from the outside of the case by a push-rod located at the bottom of the case.

The front spring, in addition to holding the target, provides restraint for the armature and thus controls the pickup value of the switch.

The ICS unit is commonly used to provide a seal in around the main protective relay contacts relieving them of carrying heavy duty trip currents.

When ac current is necessary in a control trip circuit, some chattering can be observed and the ICS unit can be replaced by an ACS unit.

Operating speed of the ICS unit at two times pickup is 10 to 16 ms.

3.0 CHARACTERISTICS

The relay operates in 4 milliseconds for an energy input of 10 watts. The reset time is typically 16 milliseconds.

The relay is adjusted to have a pickup value less than 80% of rating, but not less than 50% of the typical battery equalizing charge voltage. See Table 1.

Table 1

MINIMUM PICKUP VALUES
28 volts for 48 volt rating 70 volts for 125 volt rating 140 volts for 250 volt rating

The relay will drop out at 5% of rated voltage or higher. The relay is only available in a 4 make contact

configuration. Typical effective contact bounce is outlined in Table 2.

Table 2

CONTACT BOUNCE	
Contact Loading	Effective Bounce Time in Milliseconds Normally Open
Dry Circuit	2.
10 Watt (One AR Relay)	1.
Breaker Trip Coil	.2

Contact Rating

Each relay contact is rated 3 amps continuous and 30 amps long enough to trip a breaker. For interrupting rating see Table 4 (page 3).

Indicating Contactor Switch (ICS) (When Supplied)

The main contacts will close 30 amperes at 250 volts dc and the seal-in contacts of the indicating contactor switch (ICS) will carry this current long enough to trip a circuit breaker.

The indicating contactor switch (ICS) has two taps that provide a pickup setting of 0.2 or 2 amperes. To change taps requires connecting the lead located in front of the tap block to the desired setting by means of a screw connection...

Trip Circuit Constants

Trip Circuit Constants	
Indicating Contactor Switch	
0.2 A tap:	6.5 ohms dc resistance
2.0 A tap:	0.15 ohms dc resistance

Table 3

PICKUP VALUES
31 volts for 48 volt rating 80 volts for 125 volt rating 160 volts for 250 volt rating

Table 4

CONTACT RATING					
Contact Circuit Volts dc	Interrupting Rating (Amps)				Carry Rating (Amps)
	Resistive		Inductive [†]		Continuous
	Single	Double	Single	Double	
48	3.750	20	1.70	20	3
125	0.500	1.7	0.350	1.2	3
250	0.250	0.5	0.150	0.250	3

[†] $L/R = .005$ for $I \leq 1$ amp
 $L/R = .040$ for $I > 1$ amp

4.0 SETTINGS

AR Unit

No settings are required.

Operation Indicators (OI) (When Supplied)

The only setting required on the OI is the selection of the 0.2 or 2.0 amperes tap setting. This selection is made by connecting the lead located in front of the tap block to the desired setting by means of the connecting screw.

Indicating Contactor Switch (ICS) (When Supplied)

No setting is required on the ICS unit except the selection of the 0.2 or 2.0 ampere tap setting. This selection is made by connecting the lead located in front of the tap block to the desired setting by means of the connecting screw.

5.0 INSTALLATION

The relays should be mounted on switchboard panels or their equivalent in a location free from dirt, moisture, excessive vibration, and heat. Mount the relay vertically by means of the four mounting holes on the flange for semi-flush mounting or by means of the rear mounting stud or studs for projection mounting. Either a mounting stud or the mounting screws may be utilized for grounding the relay. The electrical connection may be made directly to the terminals by means of screws for steel panel mounting or to the terminal studs furnished with the relay for thick panel mounting. The terminal studs may be easily re-

moved or inserted by locking two nuts on the stud and then turning the proper nut with a wrench.

For detailed FT case information refer to I.L. 41-076.

6.0 ADJUSTMENTS AND MAINTENANCE

The proper adjustments to insure correct operation of this relay have been made at the factory and should not require readjustment after receipt by the customer. If the adjustments have been changed or the relay taken apart for repairs, the instructions below should be followed.

Acceptance Check

The following check is recommended to ensure that the relay is in proper working order. The relay should pickup at 80% of rating and should not pick up below values in Table 1 (page 2).

a. Contact Gaps

Normally open contacts should have a gap of .018 to .023 inch.

b. Contact Pressure

On relays with four normally open contacts, contacts should have approximately 5 grams pressure on the card in the de-energized position, and 15 to 30 grams contact pressure in the energized position. Pressure readings are taken at the end of the contact spring.

c. Armature Gap

The armature gap should be approximately .010 inches measured at the narrowest part of the armature gap.

d. Contact Operate Time

4 milliseconds at rated voltage.

e. Operation Indicator (OI) -- (When Supplied)

Close the main relay contacts and pass sufficient dc current through the circuit to drop the target of the OI. This value of current should be not greater than the particular OI tap setting being used. The operation indicator target should drop freely.

f. Indicating Contractor Switch (ICS) -- (When Supplied)

Close the main relay contacts and pass sufficient dc current through the trip circuit to close the contacts of the ICS. This value of current should not be greater than the particular ICS tap setting being used. The operation indicator target should drop freely.

For proper contact adjustment, insert a .030" feeler gauge between the core pin and the armature. Hold the armature closed against the core pin and gauge and adjust the stationary contacts such that they just make with the moving contact. Both stationary contacts should make at approximately the same time. The contact follow will be approximately 3/64" to 5/64".

7.0 CALIBRATION

Use the following procedure for calibrating the relay if the relay has been taken apart for repairs or the adjustments disturbed. This procedure should not be used until it is apparent that the relay is not in proper working order. (Acceptance Check, page 3.)

Tripping Relay (AR)

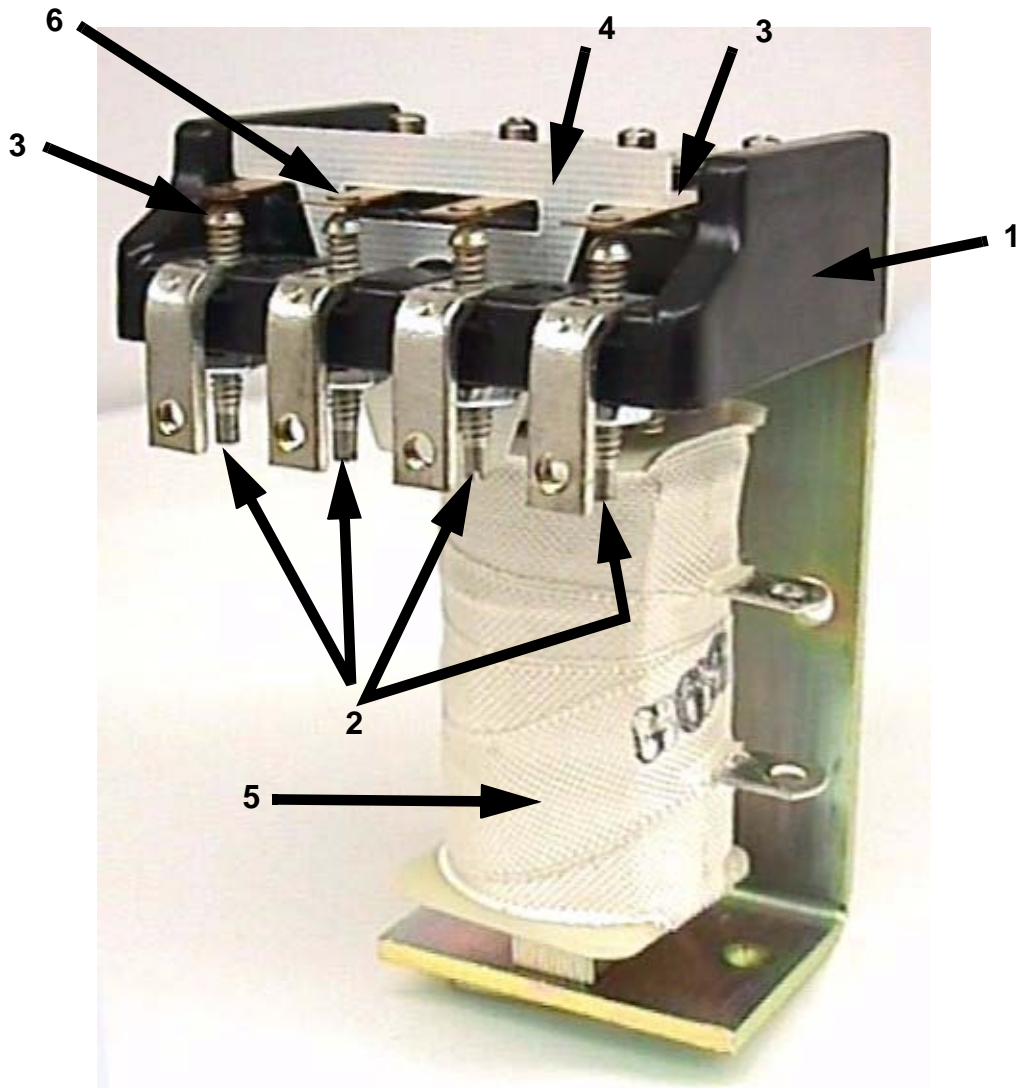
The type AR tripping relay unit has been properly adjusted at the factory to insure correct operation, and under normal field conditions should not require readjustment. If, however, the adjustments are disturbed in error, or it becomes necessary to replace some part, use the following adjustment procedure. This procedure should not be used until it is apparent that the relay is not in proper working order.

- a. Adjust the set screw at the rear of the top of the frame to obtain a 0.010-inch gap at the rear end of the armature air gap.
- b. Adjust each contact spring to obtain 5 grams reset pressure at the very end of the spring. This pressure should be sufficient to move the spring away from the edge of the slot of the card.
- c. Adjust each stationary contact screw to obtain a contact gap of 0.020 to 0.022 inches. Energize the relay and the normally open contacts should have 15 to 30 grams contact pressure.
- d. Apply rated voltage to the relay in line with the terminal polarity designation. Then calibrate by adjusting the spring tension until the relay picks up in the line with Table 3, Pickup Values.

8.0 RENEWAL PARTS

Repair work can be done most satisfactorily at the factory. However, interchangeable parts can be furnished to the customers who are equipped for doing repair work. When ordering parts, always give the complete nameplate data

NOTES



1. Molded Insulation Block
2. Normally Open Stationary Contact Screws
3. Leaf Spring Moving Contacts
4. Moving Card Assembly
5. Relay Coil
6. Gap at this point when checking Reset Pressure

Actual Photo

Figure 1: Type AR Unit with 4 Make Contacts (Front View).

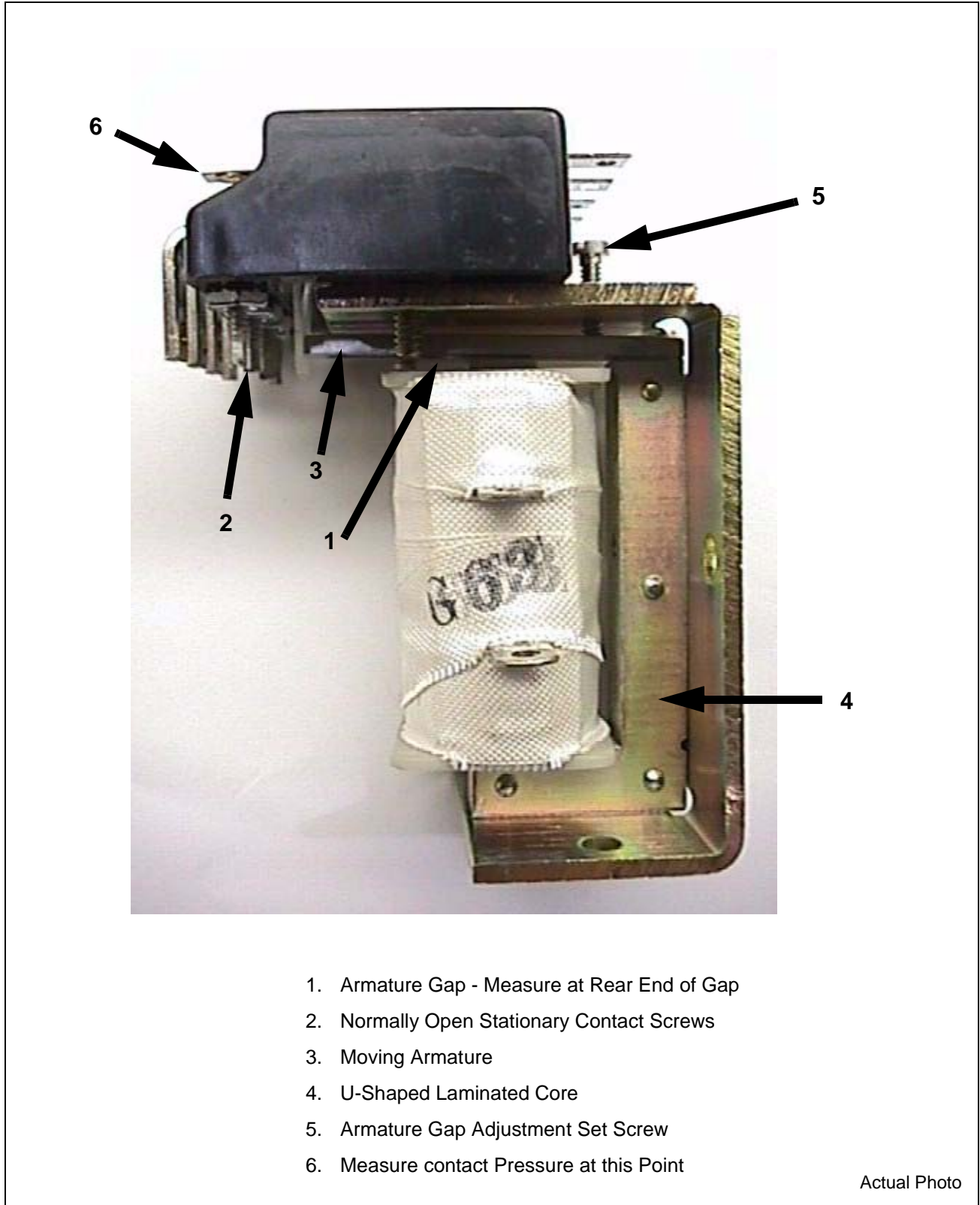


Figure 2: Type AR Unit with 4 Make Contacts (Side View).

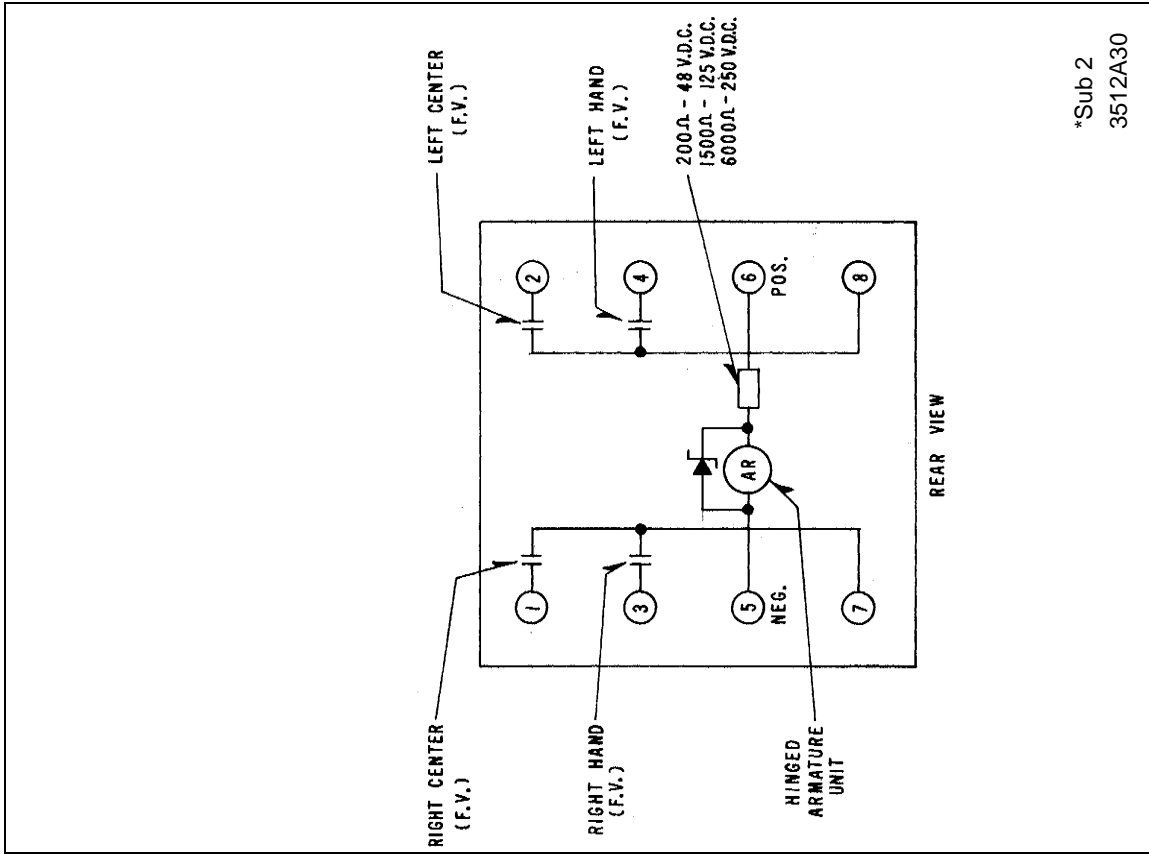


Figure 4: Internal Schematic of the Type AR Relay, with zener diode in Rear Connected Molded Case.

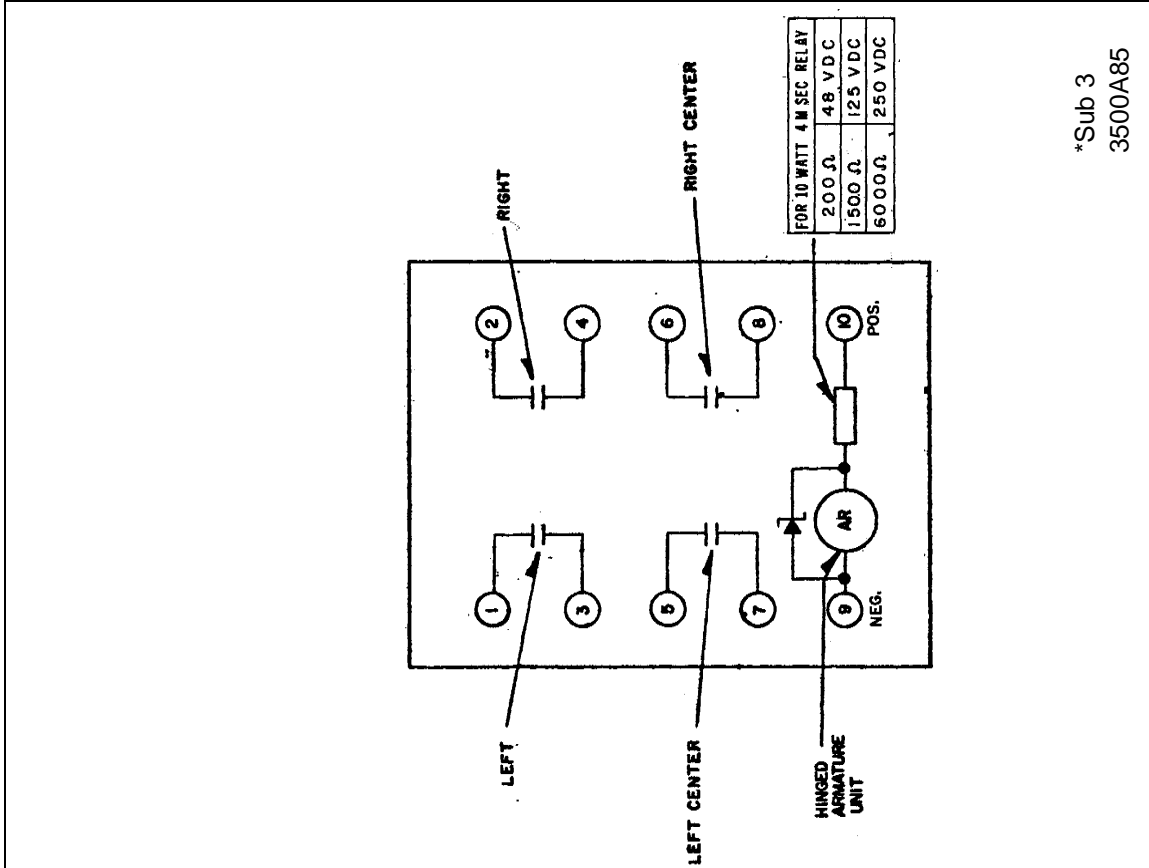


Figure 3: Internal Schematic of the Type AR Relay, High Speed, with 4 Make Contacts with zener diode in Front Connected Molded Case.

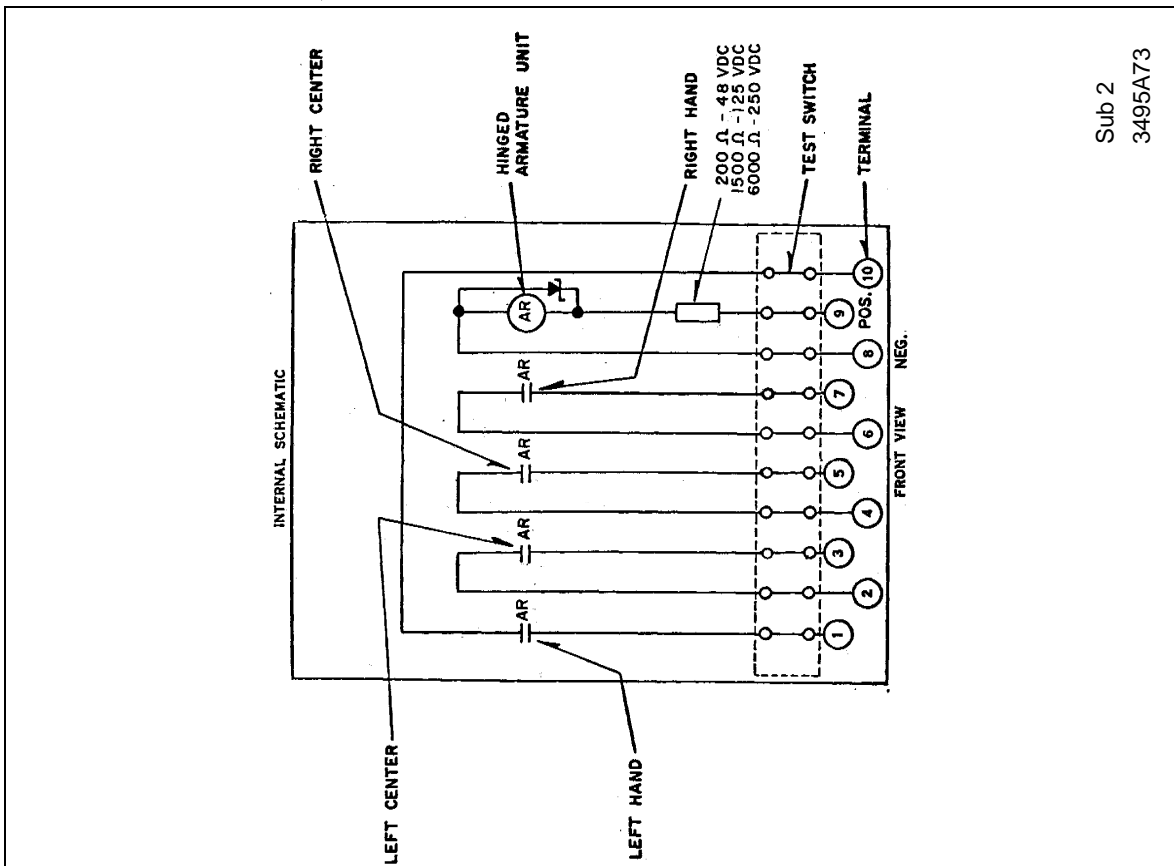


Figure 5: Internal Schematic of the Type AR Relay, High Speed Auxiliary, 4 Make Contacts with zener diode in FT-11 Case.

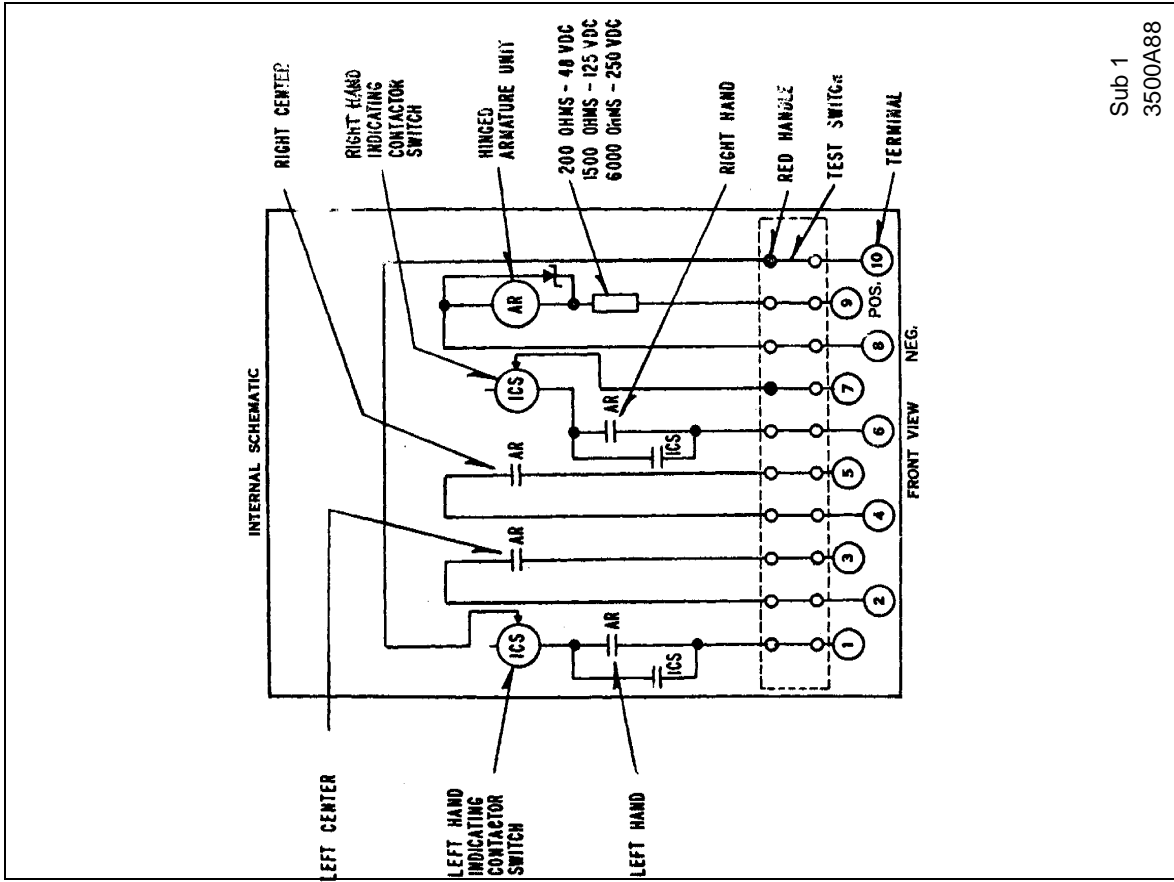


Figure 6: Internal Schematic of the Type AR Relay, High Speed Auxiliary, 4 Make Contacts with zener diode and 2 ICS Units in FT-11 Case.

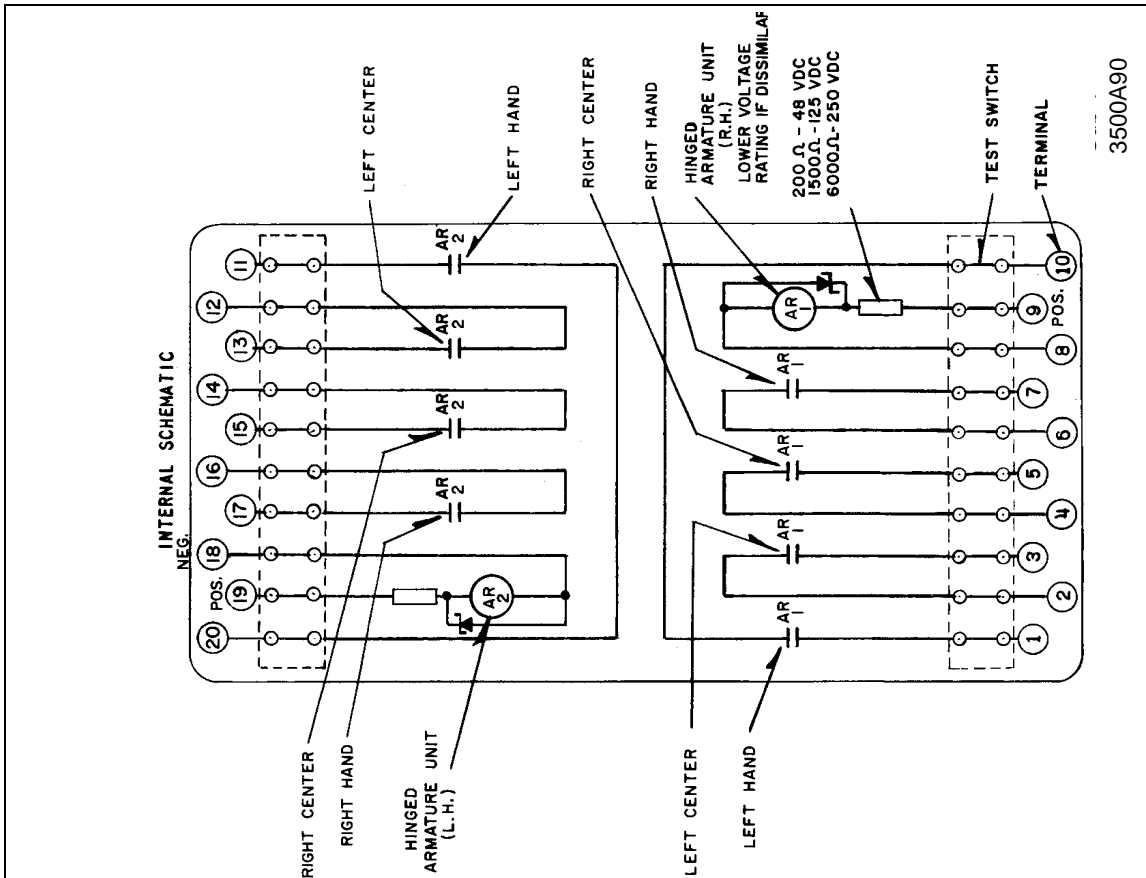
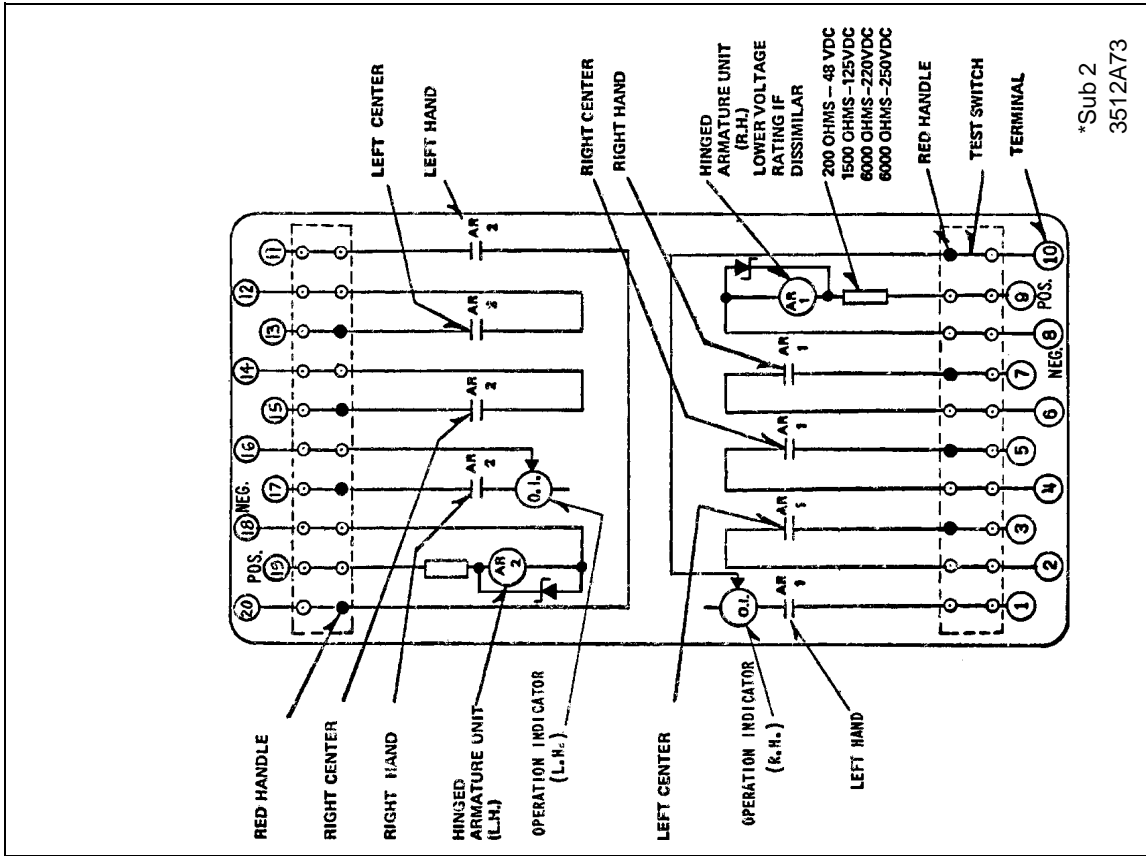
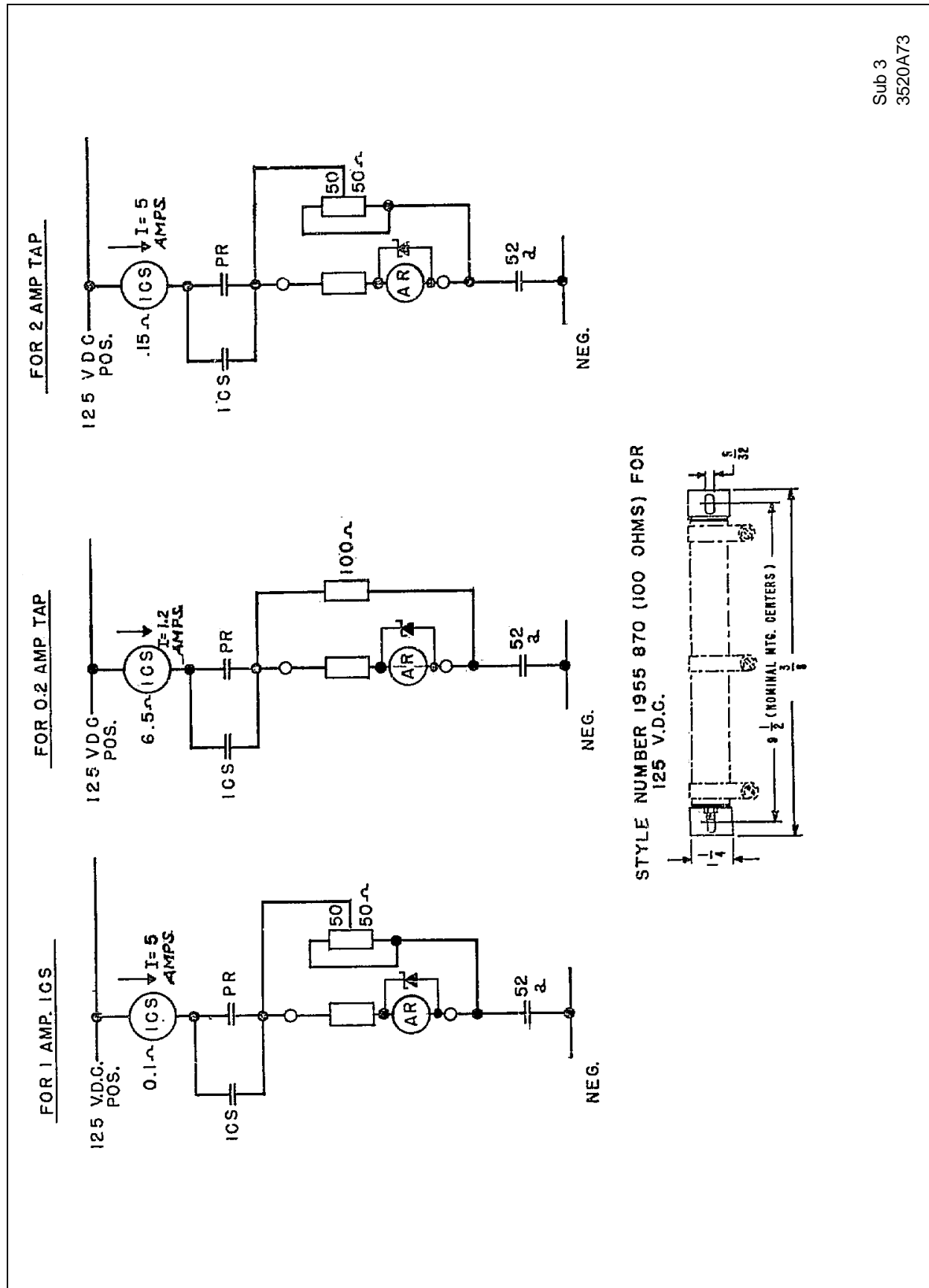


Figure 8: Internal Schematic of the Type AR Relay, High Speed Auxiliary Double Unit with 8 Make Contacts with zener diodes and 2 OI Units in FT-22 Case.

Figure 7: Internal Schematic of the Type AR Relay, High Speed Auxiliary Double Unit with 8 Make Contacts with zener diodes in FT-22 Case.

* Denotes change since previous issue



Sub 3
3520A73

Figure 9: External Schematic for the Type AR Relay.

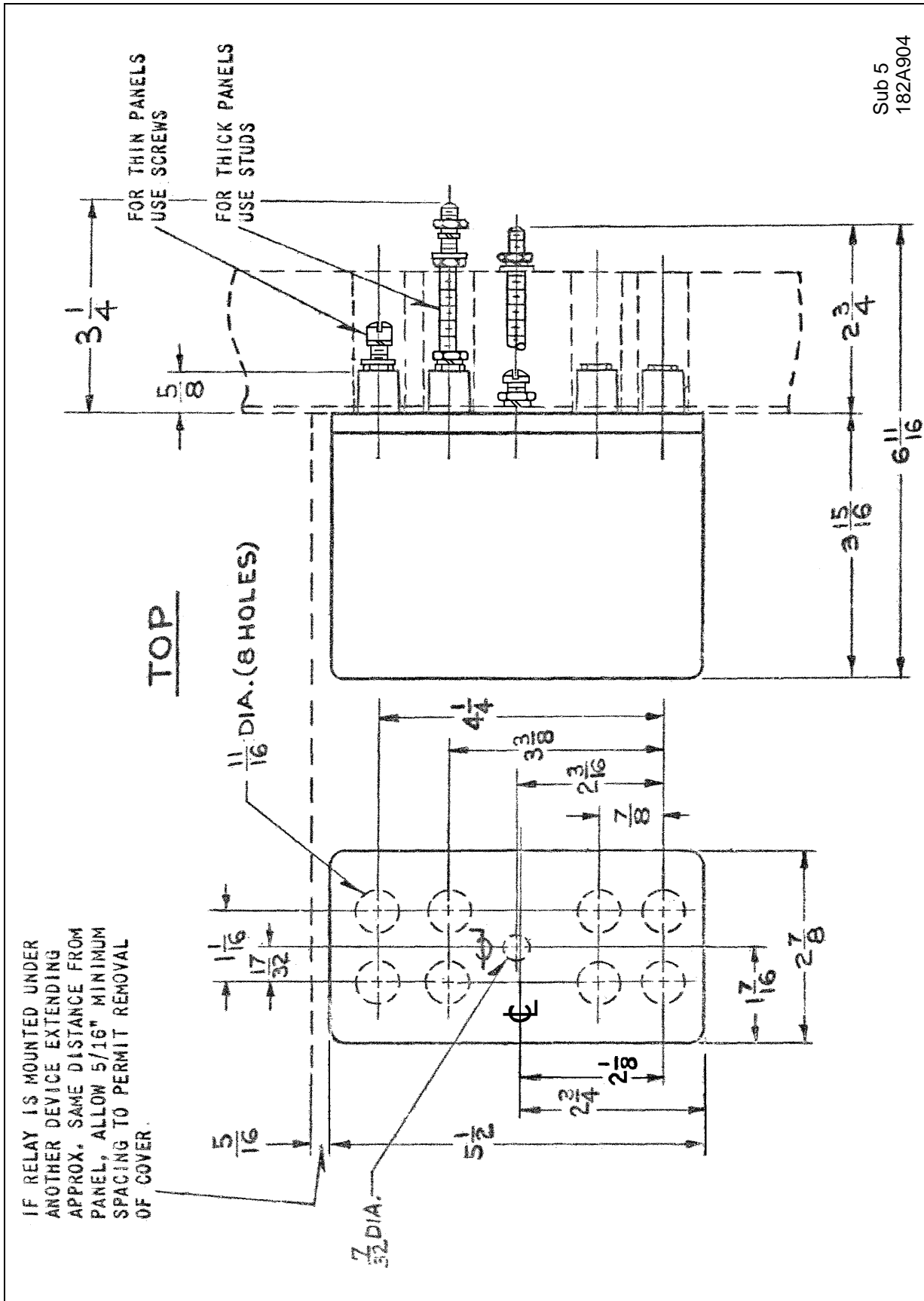


Figure 11: Outline and Drilling Plan for the Type AR Relay in the Rear Connected Molded Case.



ABB Inc.

4300 Coral Ridge Drive
Coral Springs, Florida 33065

Telephone: +1 954-752-6700

Fax: +1 954-345-5329

www.abb.com/substation_automation

IL 41-759.3 - Revision C