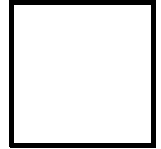


# INSTRUCTION BULLETIN



## VARIABLE AREA FLOWMETERS 10A2227 Dial Indicator Purge Meter

### INSTALLATION

#### I. GENERAL

The Model 10A2227 Dial Indicator Purgemeter is intended for vertical installation only. The inlet and outlet connections of the meter are tapped for either 1/4", 1/2", 1", 1-1/2" or 2" NPT as specified. The Dial Indicator Purgemeter is pipeline mounted and requires no external supports. If, however, there is excessive vibration in the pipeline, the inlet and outlet lines should be supported.

The metering tube is made of 316 stainless steel. Pressure ratings are as follows:

1500 psig @ 100°F

1425 psig @ 300°F

Because the upper end of the float extends 1" above the meter at maximum flow rate, a short length of straight pipe must immediately follow the meter outlet. Since the Dial Indicator Purgemeter operates on a magnetic bond principle between the meter float and pointer magnets, do not mount any two meters closer than 12" in any direction. Mounting the meter near a magnetic field or iron-bearing materials may affect the operation of the float and pointer.

#### II. MOUNTING

The indicator case may be removed from the meter body if desired to facilitate installation. This may be necessary when the Dial Indicator Purgemeter is installed against a wall or where clearance is otherwise restricted. To remove the indicator case, proceed as follows:

Refer to Fig. 1 for text reference.

1) Loosen and remove the clamp screw. Be careful not to lose the square nut on the underside of the bracket when the clamp screw is removed.

2) The clamp is now free and the dial indicator case may be lifted from the meter. Notice that the other end of the clamp is held to the dial indicator case by means of a thin, flexible strap.

After piping the meter into the line, replace the indicator case, if previously removed. When replacing the indicator case, make certain that the mounting bracket edges are in the alignment grooves as shown in Fig. 1.

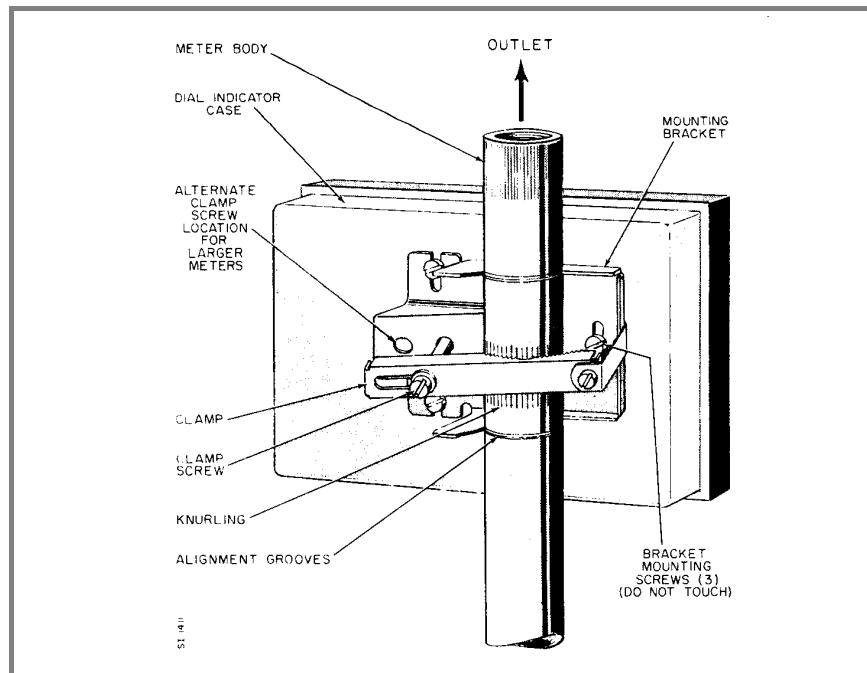


FIG. 1. REAR VIEW OF DIAL INDICATOR PURGEMETER

### CAUTION

Do not touch the bracket mounting screws. This bracket was positioned at the time of factory calibration and the screws painted for reference.

The dial indicator case may be rotated to the desired viewing angle. Simply loosen the clamp screw and rotate the case. When the desired viewing angle is obtained, tighten the clamp screw.

### III. ALIGNMENT

Prior to placing the Dial Indicator Purgemeter into operation and with no flow through the meter, perform the following steps: (Refer to Fig. 2.)

1) Remove the cover.

2) Remove the shipping screw and store it in the hole provided for future use as a calibration screw.

3) If pointer is on the FS REF mark (Float Stop Reference) no further adjustment is necessary. If pointer is not on the FS REF mark, loosen the lever lock screw and move the zero adjustment lever as required to position the pointer on the FS REF mark.

### NOTE

When making the zero adjustment, move all ferrous materials & tools at least 12" from the indicator so they will not influence the pointer position.

4) Tighten the lever lock screw and replace the cover.

## PLACING IN OPERATION

After making any adjustment required for zero correction, as noted under Alignment, turn on the fluid flow. The Dial Indicator Purgemeter is now operative.

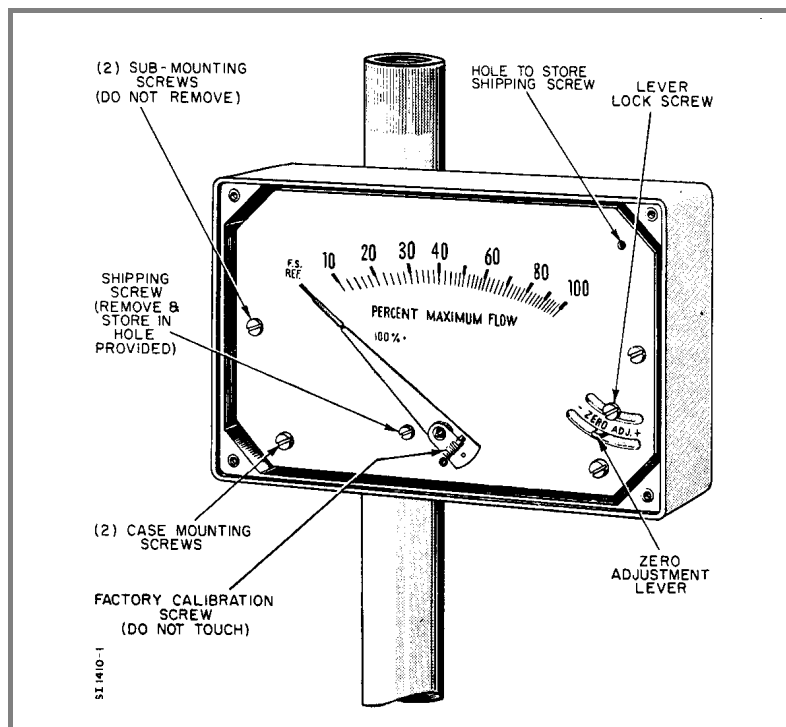


FIG. 2. FRONT VIEW WITH COVER REMOVED

## NOTICE

READ THESE INSTRUCTIONS BEFORE INSTALLING THE INSTRUMENT.

# ABB

Copyright 2002 ABB Inc. [June, 2002]

The Company's policy is one of continuous product improvement and the right is reserved to modify the information contained herein without notice.  
© 2002 ABB Inc. Printed in USA

**ABB Inc.**  
125 East County Line Road  
Warminster, PA 18974 USA  
Tel. 215-674-6000  
FAX: 215-674-7183

**ABB Instrumentation Ltd**  
Howard Road, St. Neots  
Cambs. England, PE19 3EU  
Tel. +44 (0) 1480-475-321  
FAX: +44 (0) 1480-217-948

**ABB Instrumentation S.p.A**  
Via Sempione 243  
20016 Pero (Milano) Italy  
Tel: +39 (02) 33928 1  
Fax: +39 (02) 33928 240

**ABB Automation Products GmbH**  
Industriestr. 28  
D-65760 Eschborn Germany  
Tel: +49 (0) 6196 800 0  
Fax: +49 (0) 6196 800 1849

PN24339