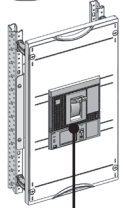
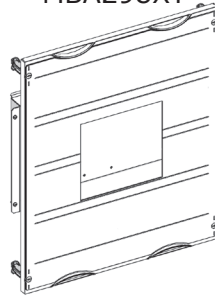
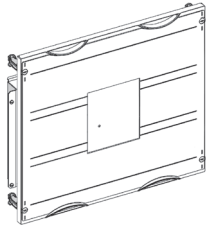
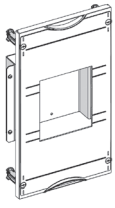


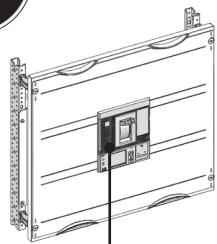
MBA192XT

MBA292XT

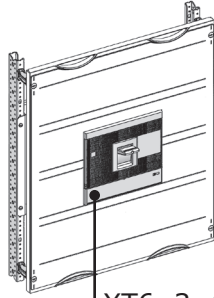
MBA298XT



XT5 3p



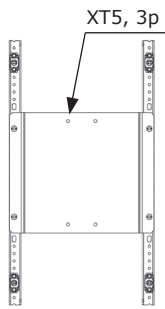
XT5 3p/4p



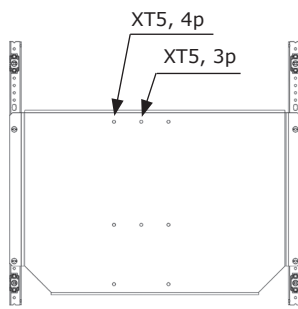
XT6 3p/4p

133616

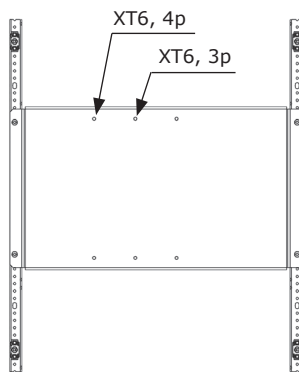
		MBA192XT	MBA292XT	MBA198XT
1		4x	4x	4x
2		1x	1x	1x
3	 (4,8x11,5)	4x	4x	4x
5		1x	1x	1x



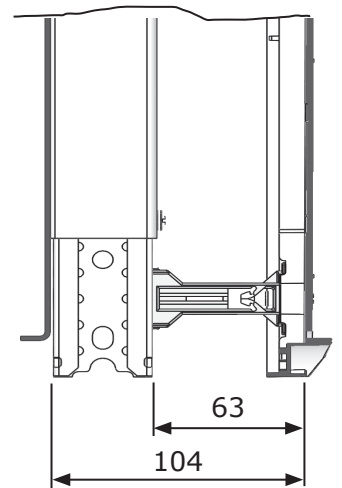
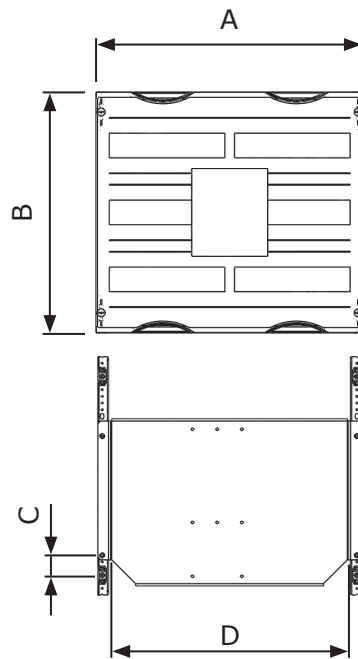
MBA192XT



MBA292XT



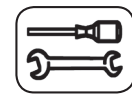
MBA298XT



	XT..		A	B	C	D		
MBA192XT	XT5 3p	1 & 6	250	450	112,5	198	X	X
MBA292XT	XT5 3p/4p	1 & 6	500	450	37,5	448	/	X
MBA298XT	XT6 3p/4p	1 & 8	500	600	162,5	448	/	X



www.striebelundjohn.com



T25



PH2

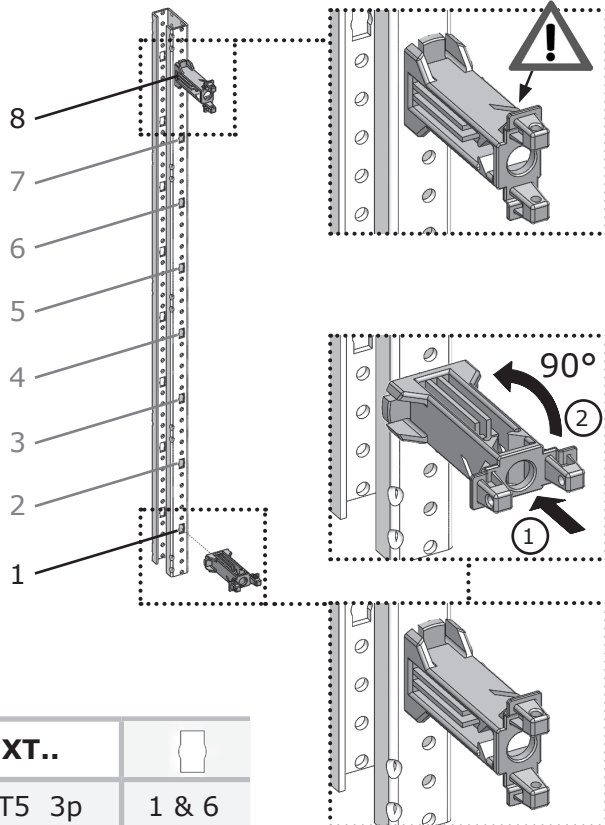
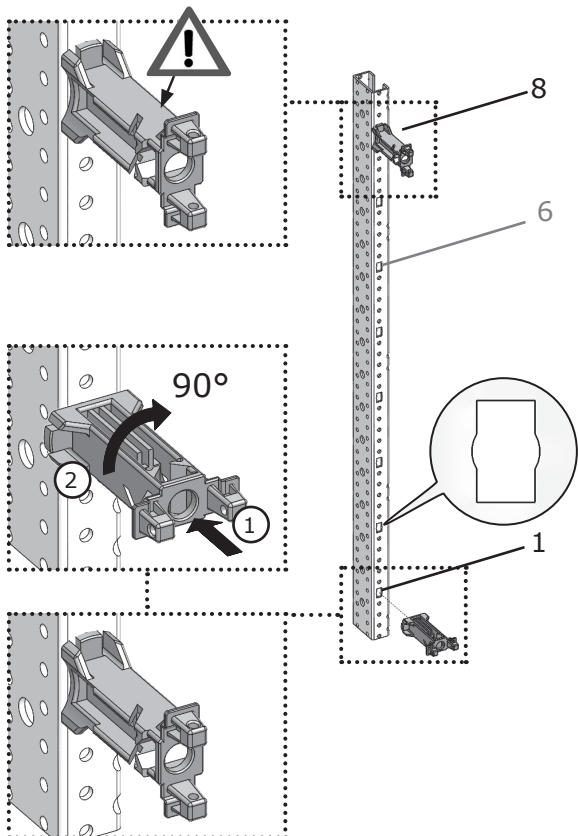



WR



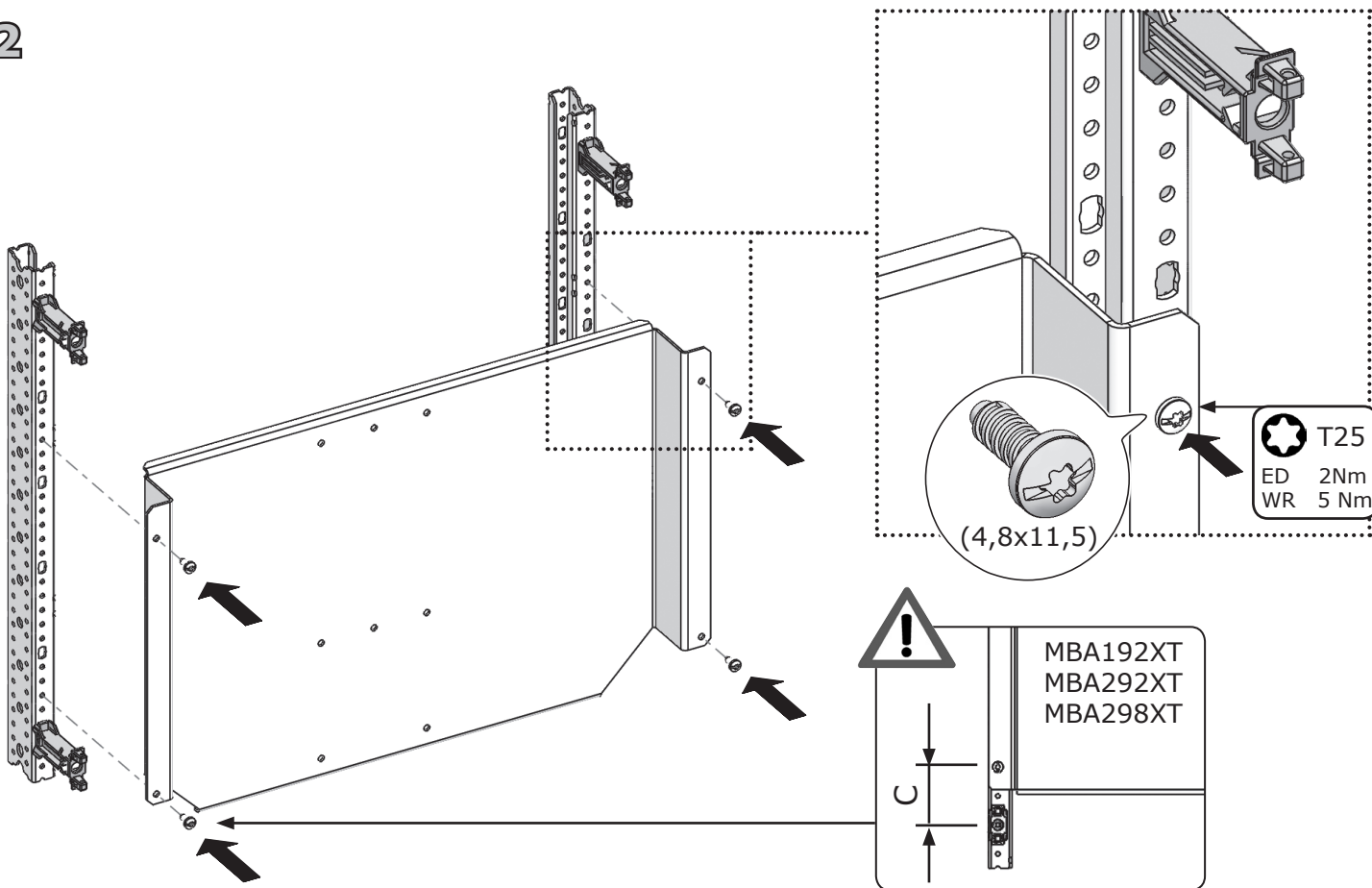
ED

1

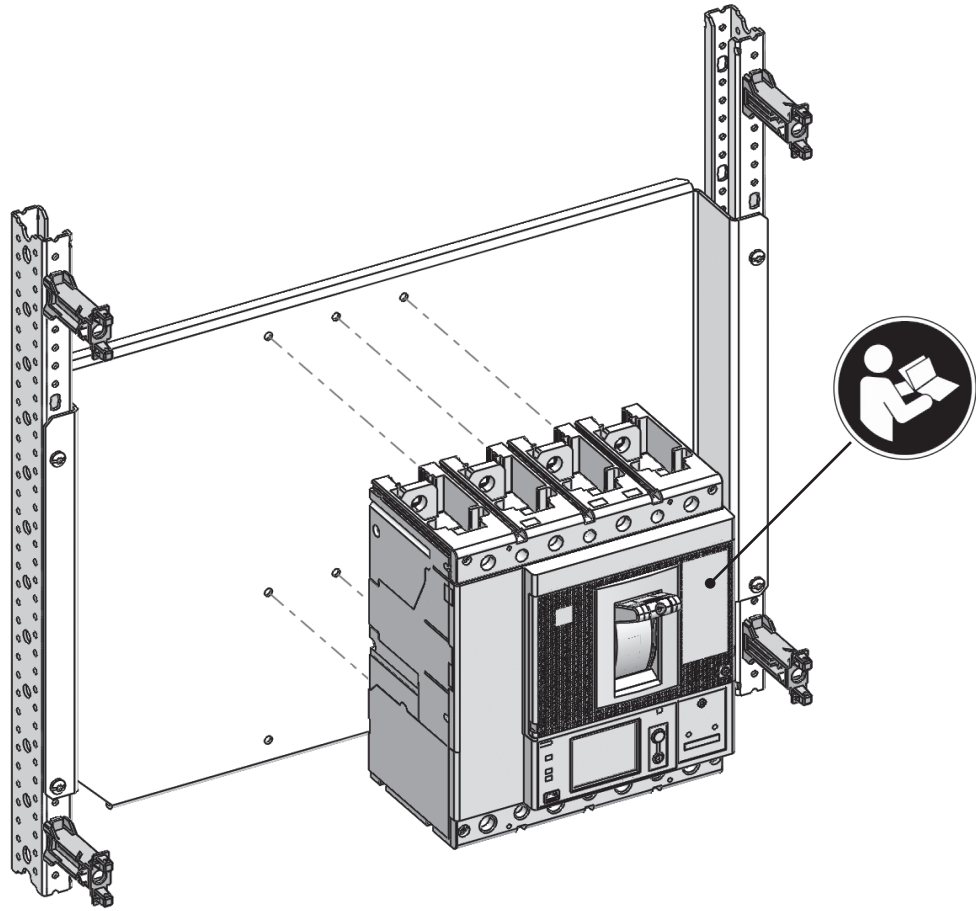


	XT..	
MBA192XT	XT5 3p	1 & 6
MBA292XT	XT5 3p/4p	1 & 6
MBA298XT	XT6 3p/4p	1 & 8

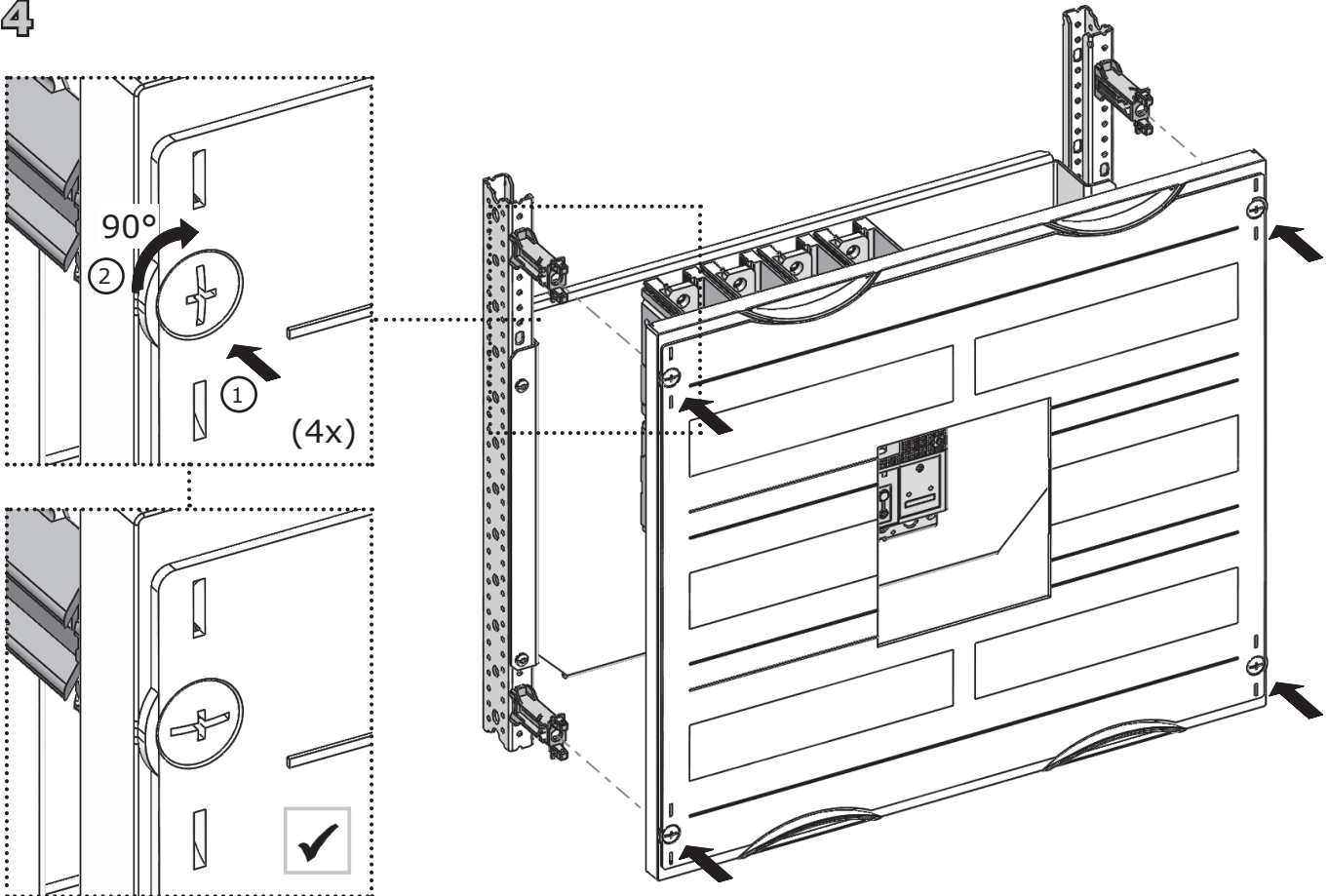
2



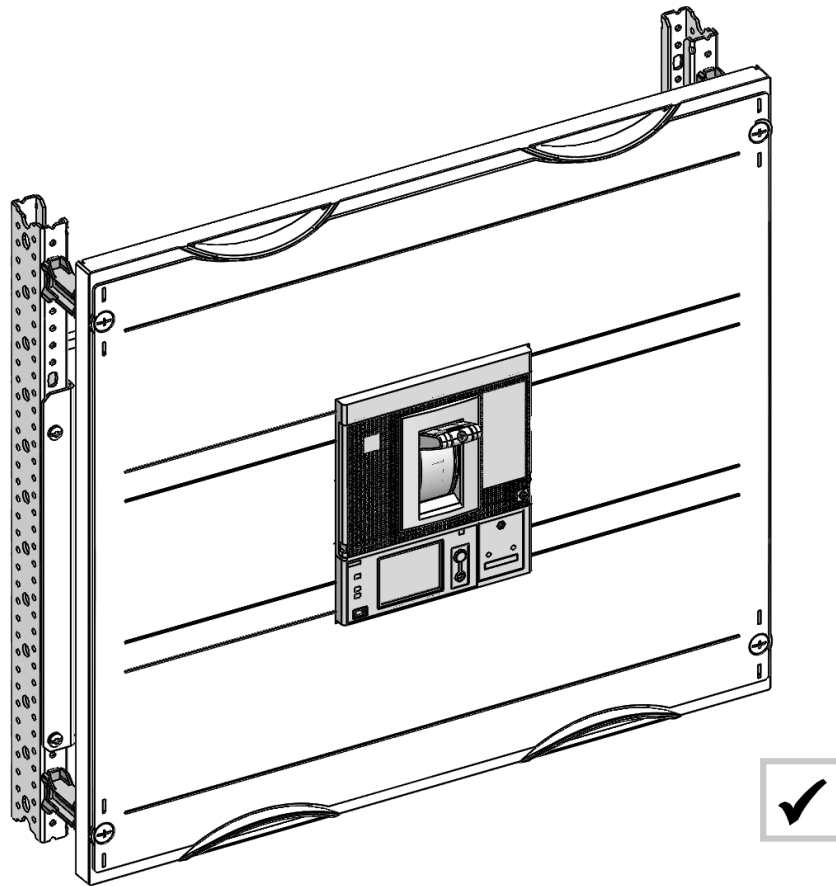
3



4



5



NOTES