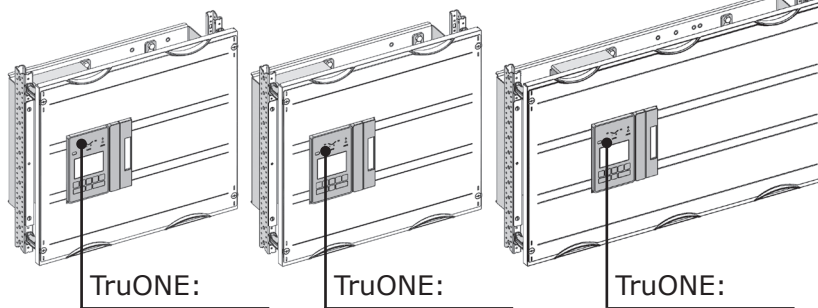
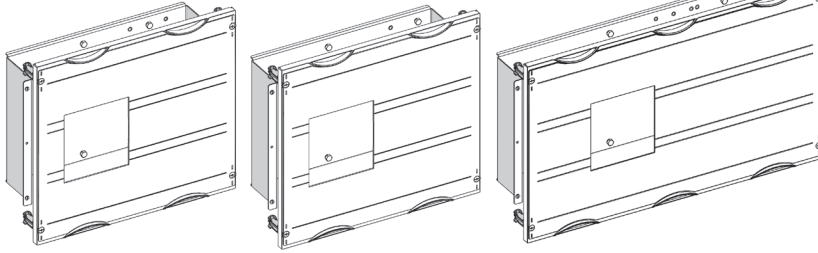


MBA250ALT

MBA400ALT

MBA401ALT



TruONE:

TruONE:

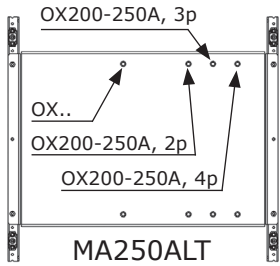
TruONE:

OX200-250A-2/3/4p

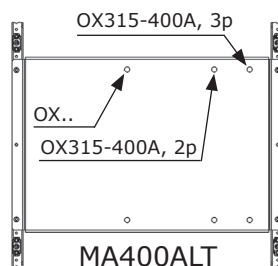
OX315-400A-2/3p

OX200-250A-2/3p
OX200-250A-4p
OX315-400A-3/4p

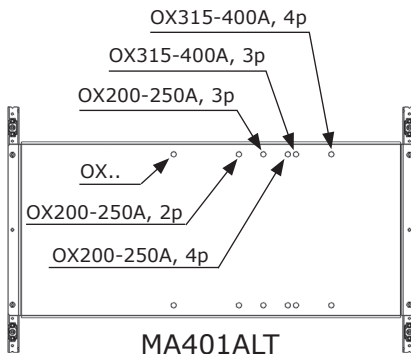
		MBA250ALT	MBA400ALT	MBA401ALT
1		4x	4x	4x
2		1x	1x	1x
3	 (4,8x11,5)	4x	4x	4x
4	 (M8x16)	4x	4x	4x
5		1x	1x	1x



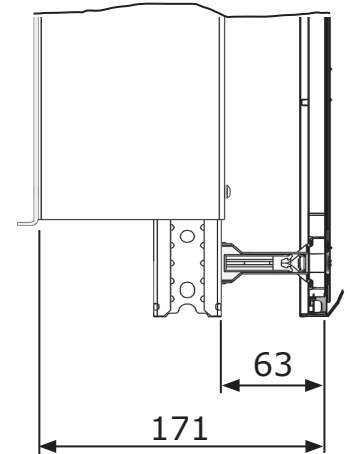
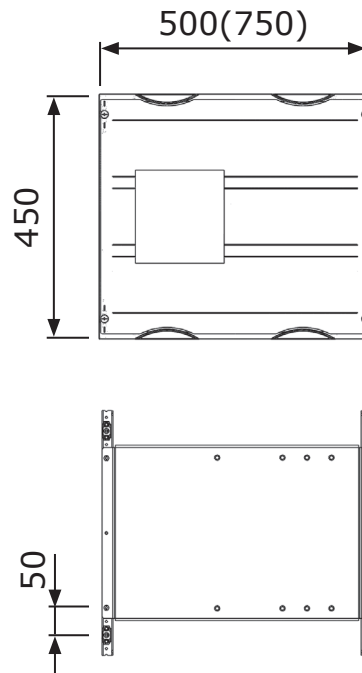
MA250ALT



MA400ALT

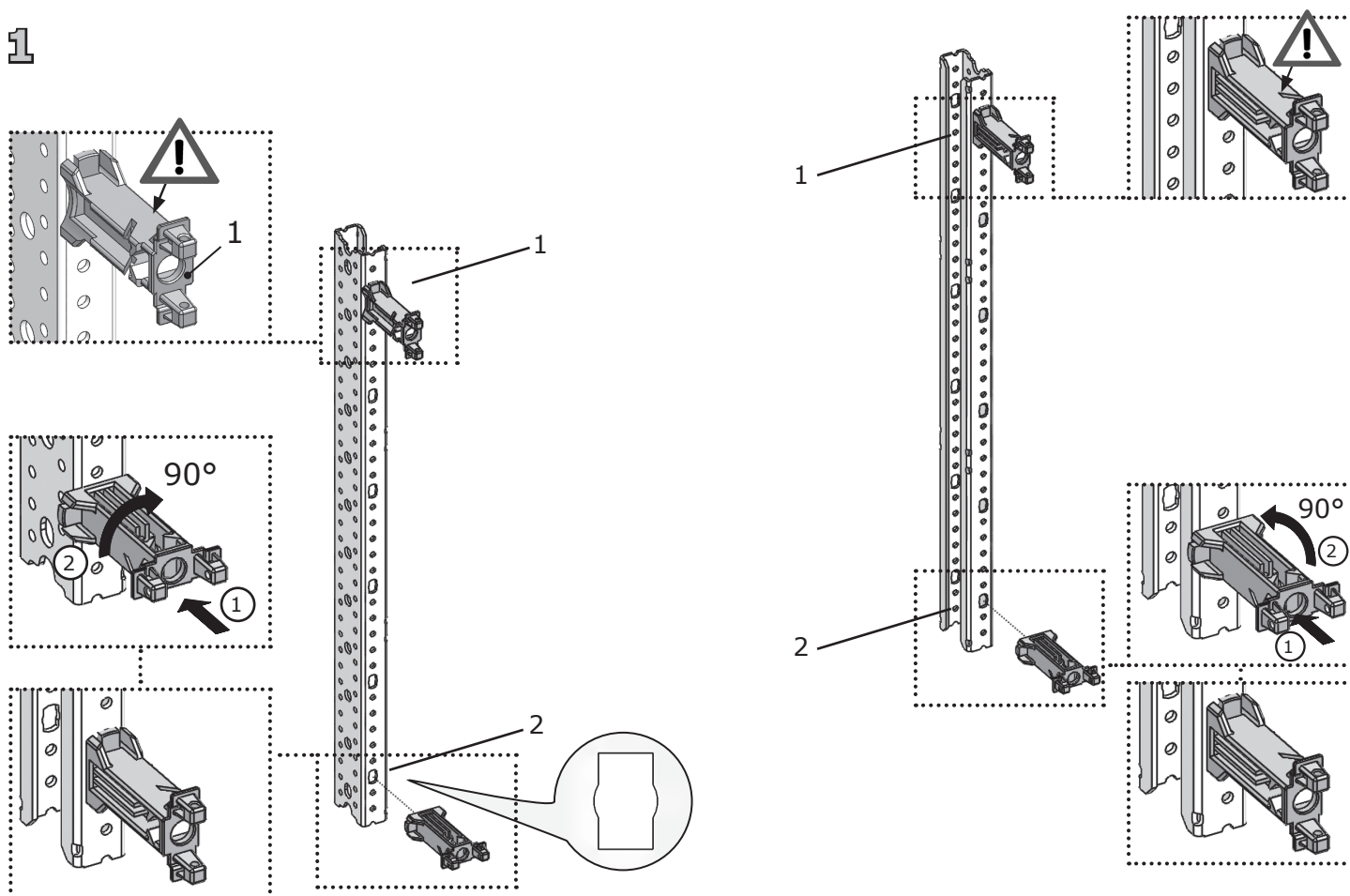


MA401ALT

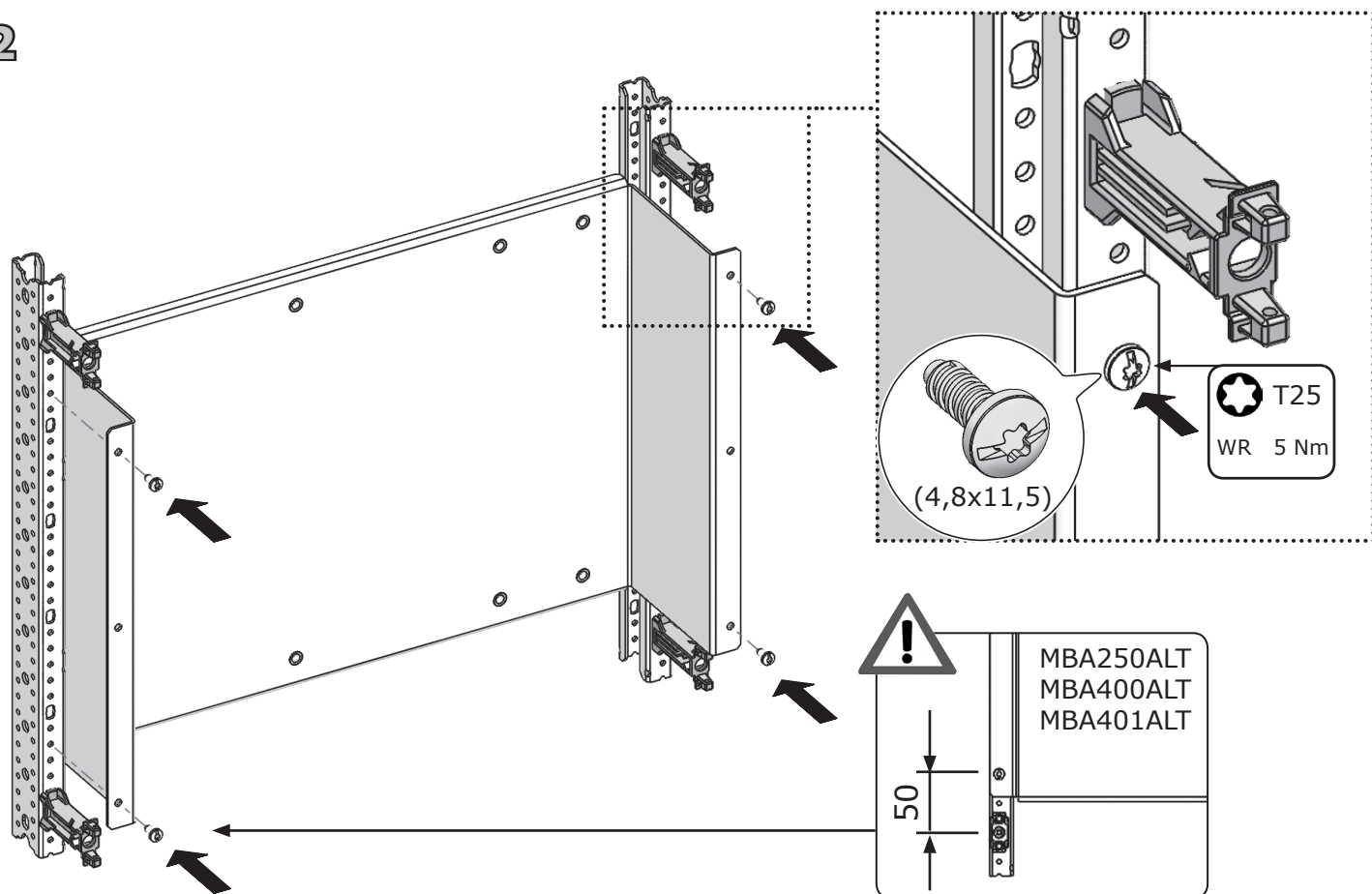


 www.striebelundjohn.com		✓	✗	✓	 T25 PH2	
-----------------------------	--	---	---	---	-------------	--

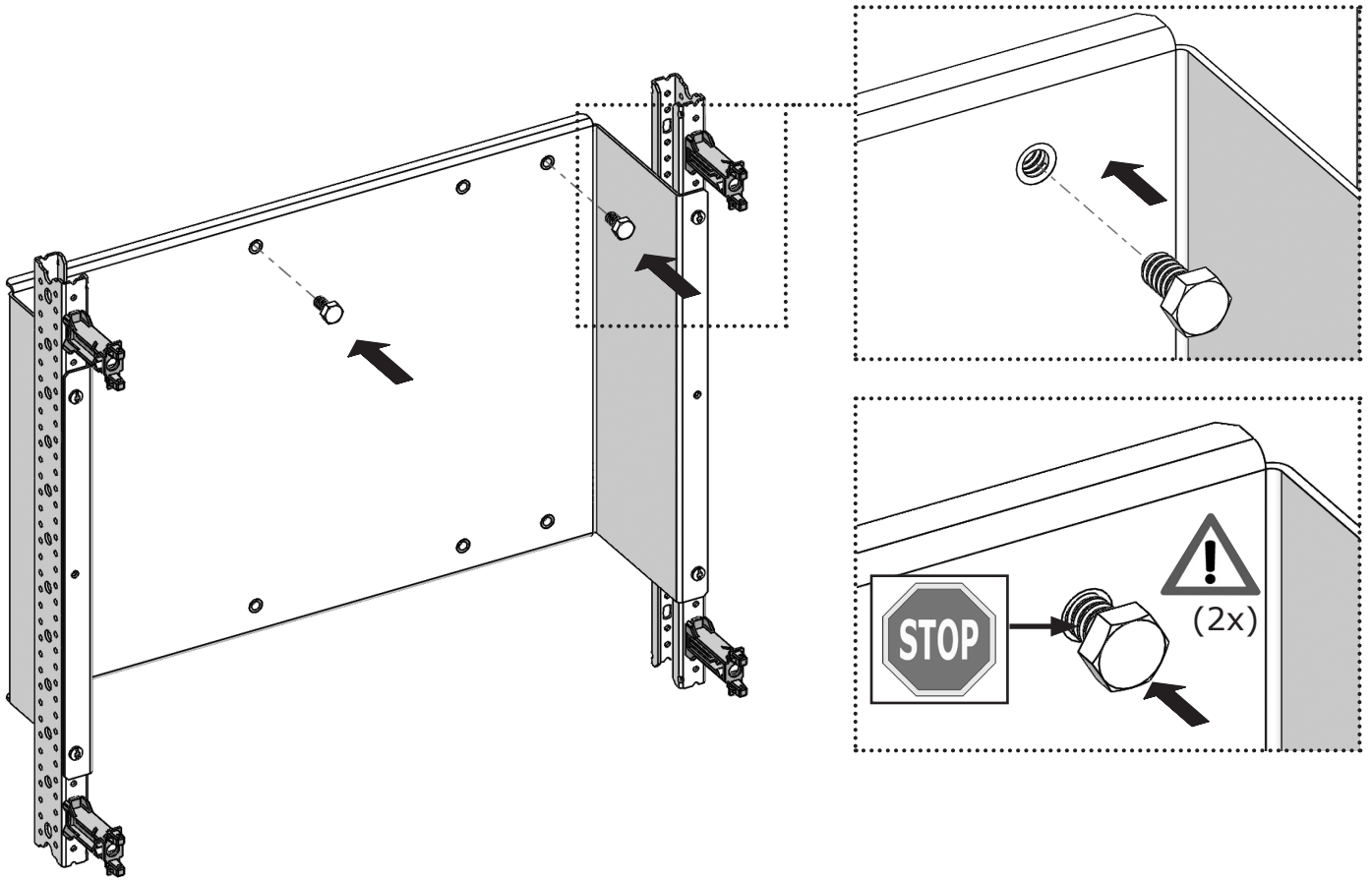
1



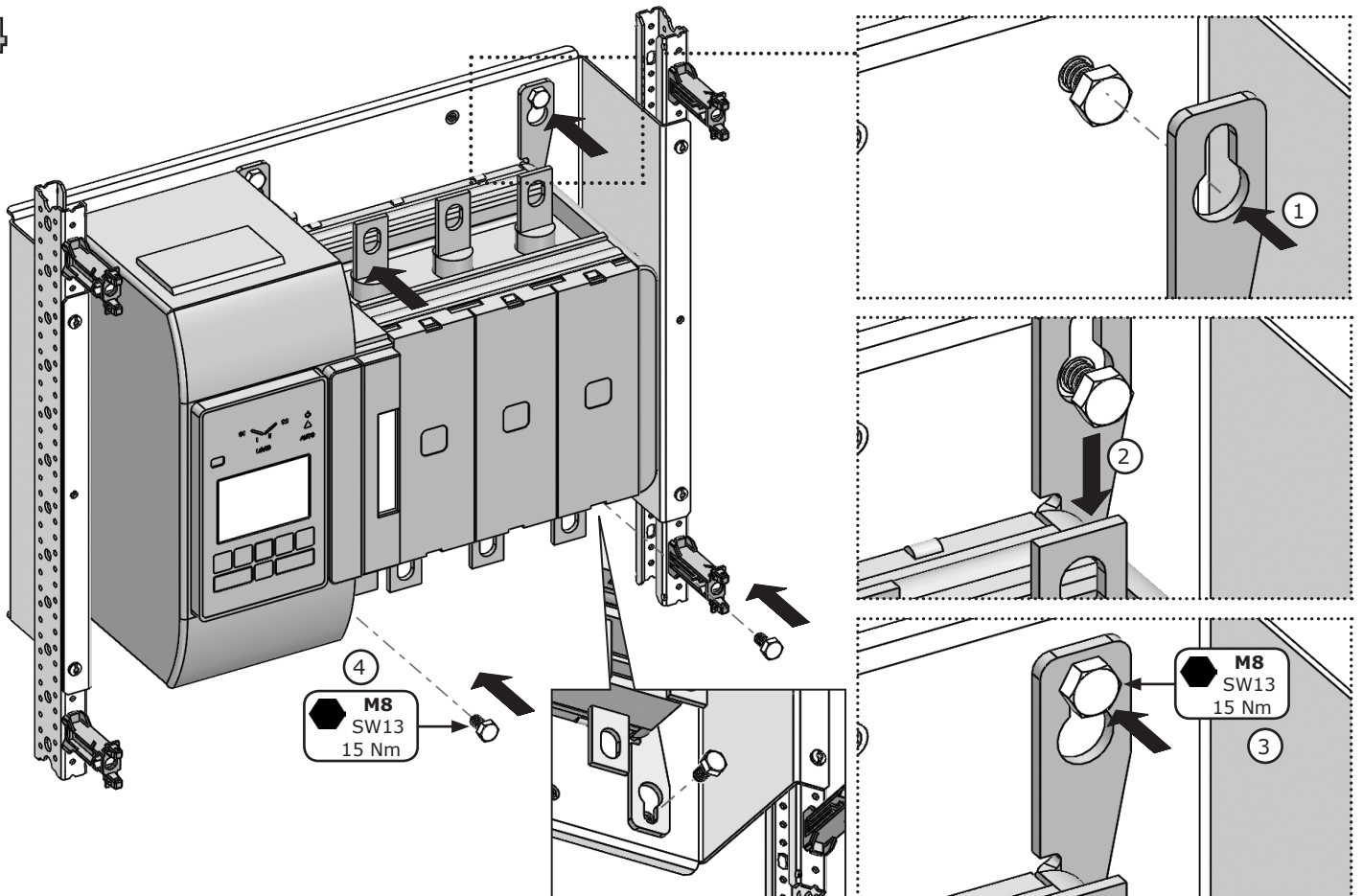
2



3



4



5

