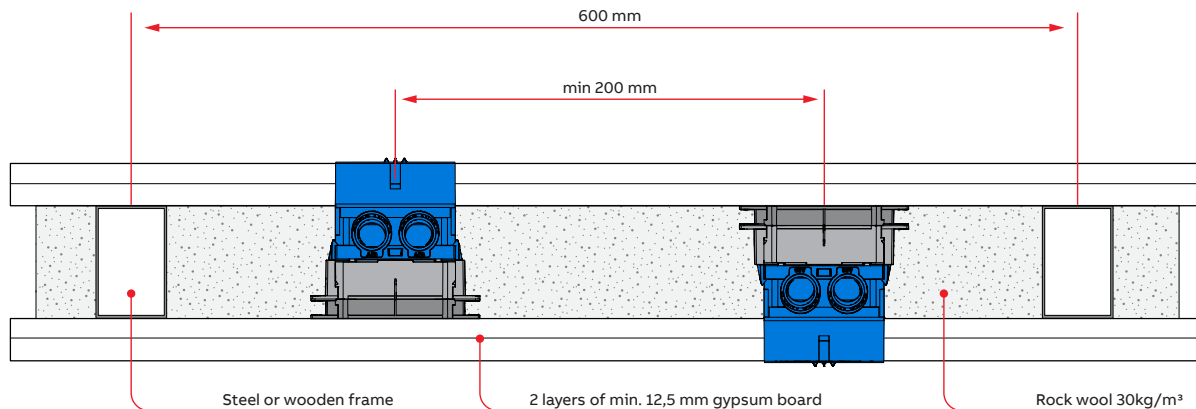


Installation instructions for System Ideal boxes in EI60 fire-rated walls

ABB's System Ideal boxes are tested to be used in EI60 fire-rated walls. Fire resistance of structures has been tested at Eurofins Expert Services Oy according to standards EN 1364-1:2005 (Test re-ports no. EU-FI29-22004748-T1 and no. VTT-S-03182-12. Statements no. EUFI29-23000201-T1 and no. VTT-S-00406-18).



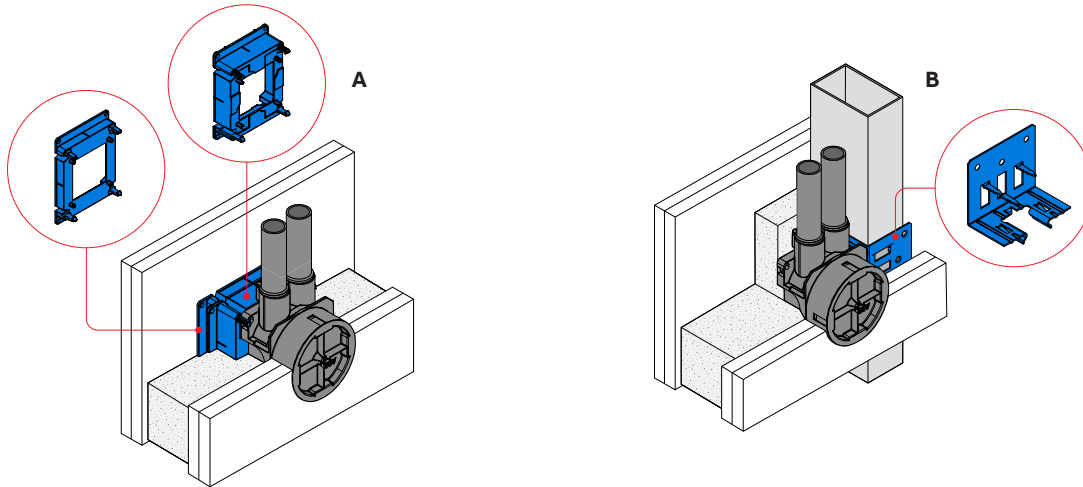
Minimum requirement for wall structure:

- 2 x 12,5 mm standard gypsum board on both sides of the wall
- Steel or wooden frame c/c 600 mm
- 70 mm rock wool insulation (Min. density 30 kg/m³)*
- When boxes are installed on opposite sides of the wall c/c min 200 mm
- Ø74 mm hole for AU60.1, AU60.10, AU5.6 and AU60.5 boxes
- Ø84 mm hole for AU67 boxes
- Rock wool needs to be installed behind boxes and inside box supports

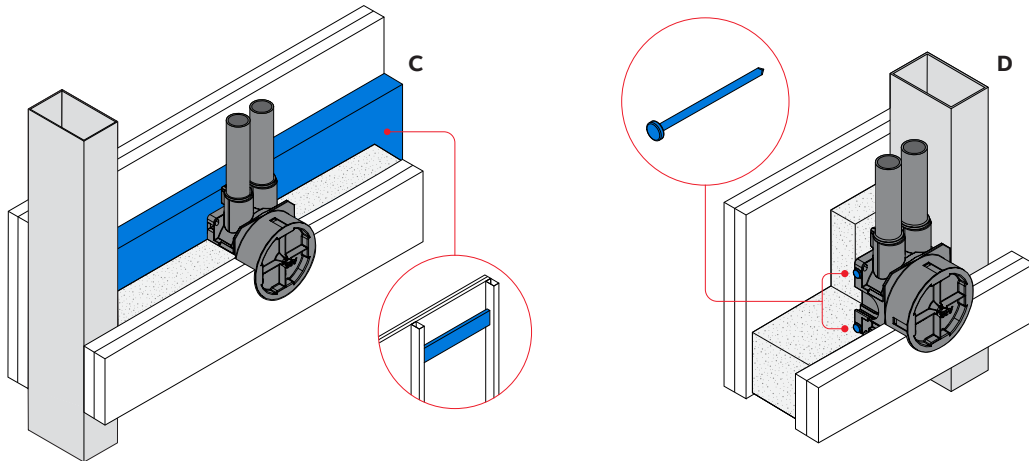
*AU60.10FR mounting box needs to be used if glass wool (Min. density 10 kg/m³) is used for insulation

APPROVED INSTALLATIONS FOR SINGLE BOXES:

—
Installations:
A
B



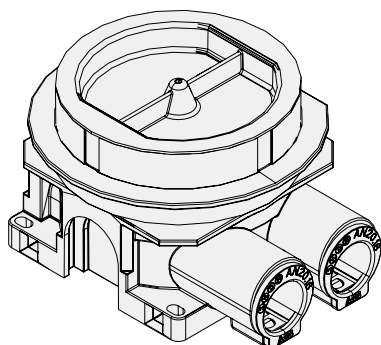
—
Installations:
C
D



- A with plastic box support (AS27/AS27.12)
- B with metal bracket (AS26.12/AS26.24)
- C with wooden board
- D nailing to frame

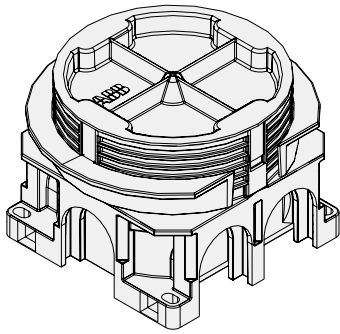
APPROVED SINGLE BOXES:

—
AU60.1



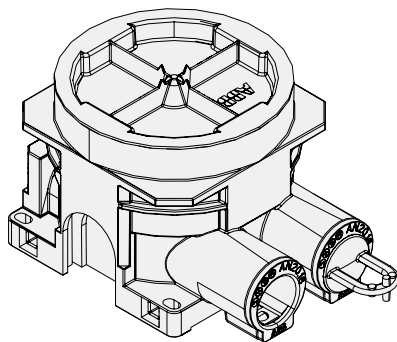
- Installation height max 2900 mm from floor (or min 100 mm from ceiling).
- Approved installations: A with plastic box support (AS27/AS27.12), B with metal bracket (AS26.12/AS26.24), C with wooden board and D nailing to frame.

—
AU60.5



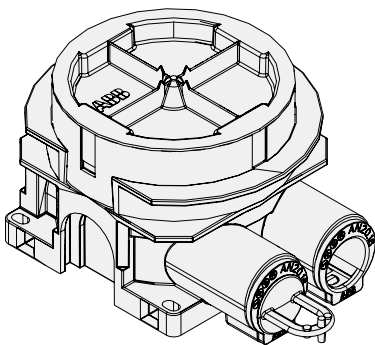
- Installation height max 2900 mm from floor (or min 100 mm from ceiling).
- Approved installations: A with plastic box support (AS27/AS27.12), B with metal bracket (AS26.12/AS26.24), C with wooden board and D nailing to frame.

—
AU5.6



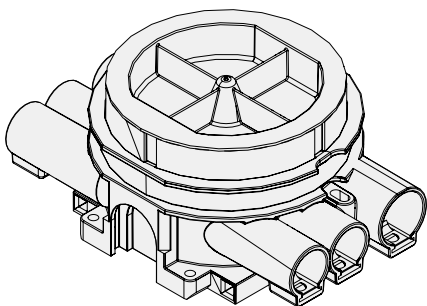
- Installation height max 2100 mm from floor (or min 100 mm from ceiling)
- Approved installations: A with plastic box support (AS27/AS27.12), B with metal bracket (AS26.12/AS26.24), C with wooden board and D nailing to frame.

—
AU60.10



- Installation height max 2900 mm from floor (or min 100 mm from ceiling).
- Approved installations: B with metal bracket (AS26.12/AS26.24), C with wooden board and D nailing to frame.

—
AU67

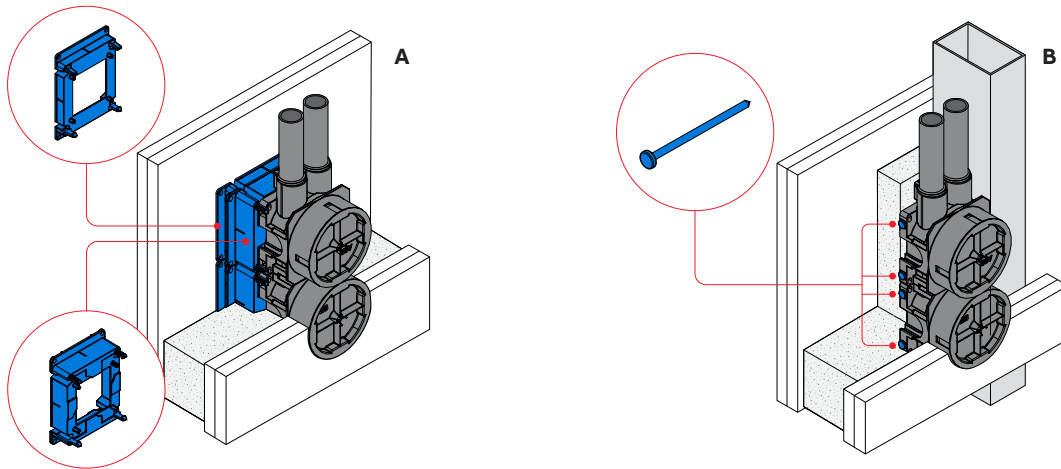


- Installation height max 2900 mm from floor (or min 100 mm from ceiling).
- Approved installations: A with plastic box support (AS27/AS27.12) and C with wooden board.

APPROVED INSTALLATIONS FOR COMBINATIONS:

— Installations:

A
B



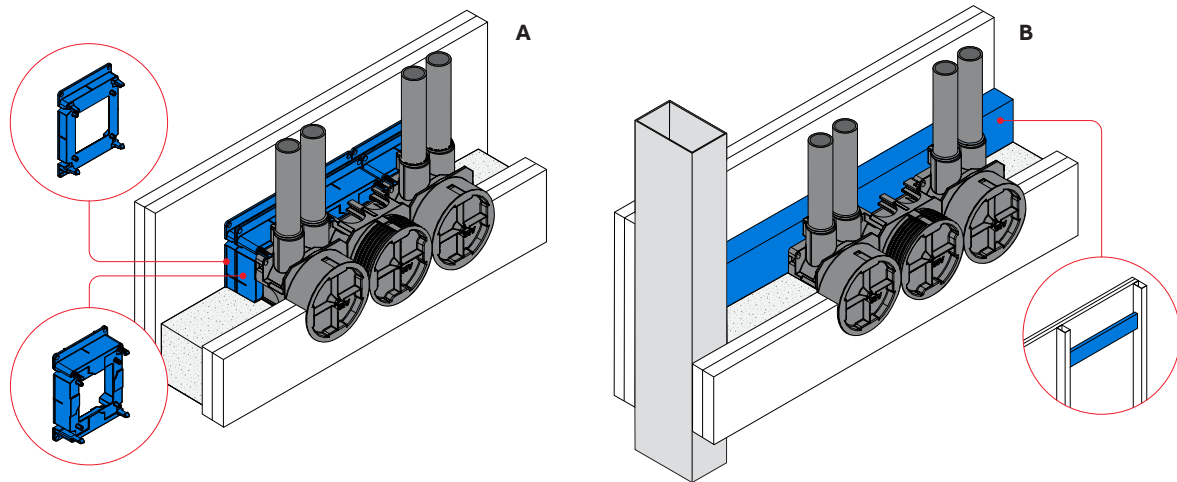
VERTICAL COMBINATION

- Max installation height 1100 mm from floor
- Max 2 boxes*
- Approved boxes AU60.1, AU60.10, AU60.5, AU5.6
- Approved installations: A: with plastic box support (AS27/AS27.12), B: nailing to frame

*AU60.10FR mounting box needs to be used with 3 box vertical combination

— Installations:

A
B

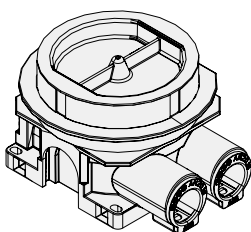


HORIZONTAL COMBINATION

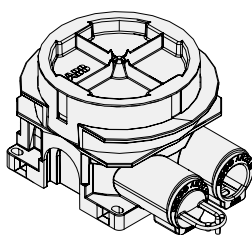
- Max installation height 300 mm from floor
- Max 3 boxes*
- Approved boxes AU60.1, AU60.10, AU60.5, AU5.6
- Approved installations: A: with plastic box support (AS27/AS27.12), B: with wooden board

*AU60.10FR mounting box needs to be used with 4 box horizontal combination

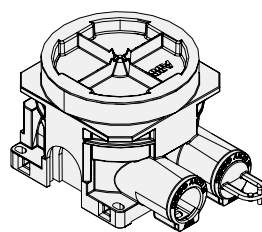
APPROVED BOXES FOR COMBINATIONS:



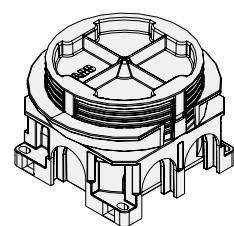
AU60.1



AU60.10

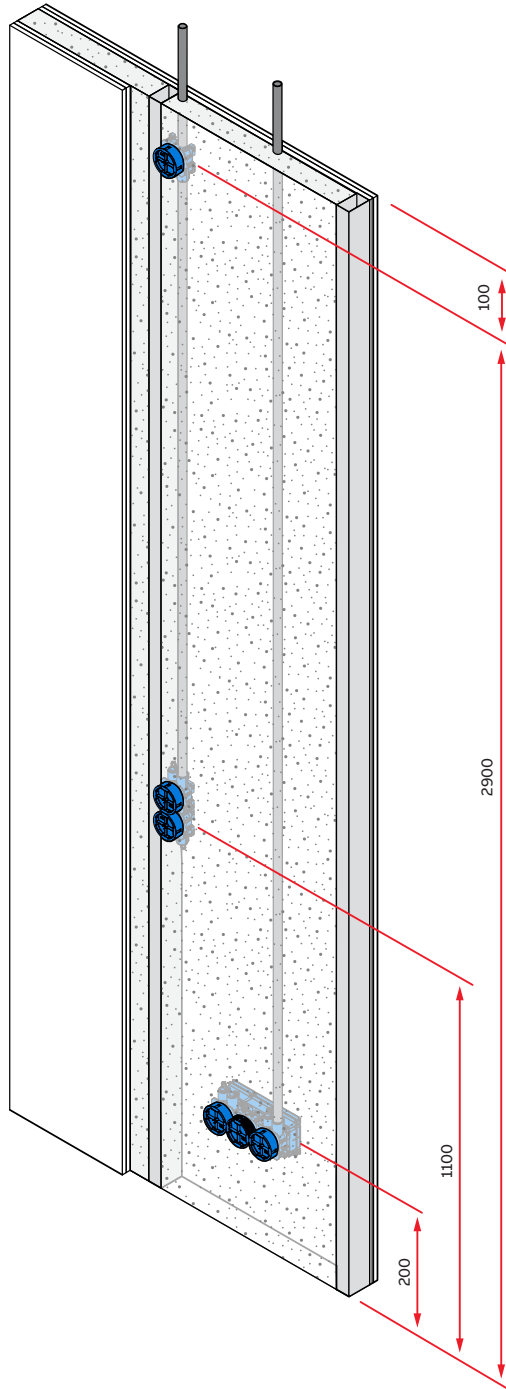


AU5.6



AU60.5

—
Example
installation:



—
ABB Oy
Porvoon Sisäkehä 2, PO Box 16
FI-06101 Porvoo, Finland
Phone: +358 10 22 11

—
We reserve the right to make technical changes or modify the contents of this document without prior notice. With regard to purchase orders, the agreed particulars shall prevail. ABB AG does not accept any responsibility whatsoever for potential errors or possible lack of information in this document.

—
We reserve all rights in this document and in the subject matter and illustrations contained therein. Any reproduction, disclosure to third parties or utilization of its contents – in whole or in parts – is forbidden without prior written consent of ABB AG. Copyright© 2023 ABB
All rights reserved