



Power-Tap Adaptor

Key Features

- Combined NEMA socket and plug
- Supplied with 5 metres of two core mains cable as standard
- Fits existing NEMA sockets
- Simple and quick to install

Applications

- Provides pole-top power for a variety of applications
- Seasonal and festive lighting
- Traffic control or safety camera power
- Temporary power supply for maintenance use

The Power-Tap Adaptor provides a supplementary pole-top power outlet without affecting the performance of the photocell or photo-electronic control of the associated luminaire.

The adaptor is specifically designed to fit any standard NEMA socket and includes a NEMA base for easy re-siting of the photocell, plus a five metre connection lead for additional loads.

Convenient, simple and safe to use, the Power-Tap Adaptor is ideal for providing additional temporary power, for example to seasonal or festive lighting, or for maintenance operations.



Power-Tap Adaptor

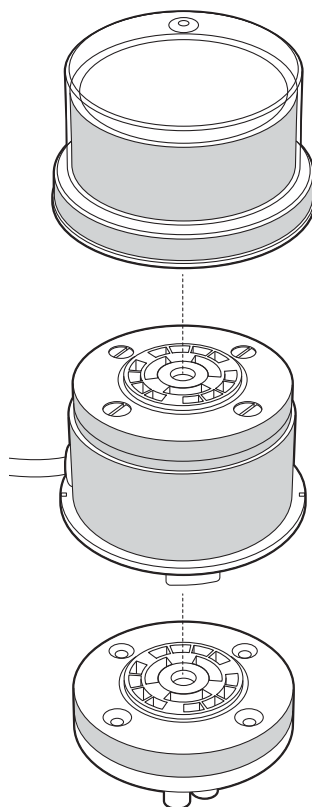
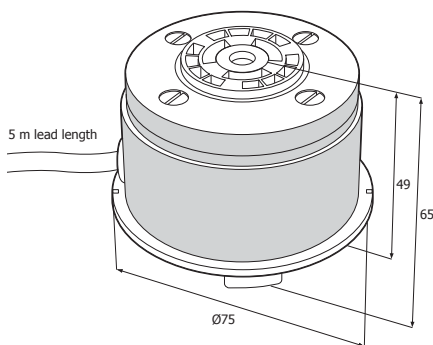
Technical Specification

Specification	Description
Operating voltage range	220-270 Vac, 50/60 Hz
Current rating	10 A
Standard cable length	5 m (other lengths available to suit requirements)
Approvals	CE marked
Dimensions Dia. x D	75 x 65 mm

For product order codes or to discuss project requirements, please contact Thomas & Betts or your local representative.

The Power-Tap Adaptor connects directly to the NEMA base of the lamp unit and incorporates its own NEMA base for siting of the photocell (see illustration right).

This ensures a permanent supply to the output cable whilst allowing the photocell to switch.



Product selection

Product	Power-Tap Adaptor
Description	Power adaptor for NEMA base photocells

Individual product order codes subject to final product specification. Codes can be supplied on request from Thomas & Betts. To discuss project requirements, please contact your local representative or Thomas & Betts on (0)113 281 0600.

Warranty of all Royce Thompson products is subject to the standard Thomas & Betts terms & conditions of sale.

Abbreviations:

NEMA - National Electrical Manufacturers Association



FM09470

Thomas & Betts Ltd

Royce Thompson
Bruntcliffe Lane
Leeds
West Yorkshire LS27 9LL

Tel: +44 (0)113 281 0600
Fax: +44 (0)113 281 0611
roycethompson@tnb.com
www.roycethompson.com



Royce Thompson is the leading photo-electronic lighting controls brand from Thomas & Betts, supporting the street and amenity lighting industry since 1963.

Continuous focus on the provision of high quality, innovative products to the market ensures Royce Thompson photocells offer the best in low energy consumption, reliability and long life - helping you, the customer, achieve optimum performance whilst keeping your carbon footprint to a minimum.