



FOR RECYCLING PURPOSES ONLY

Disassembly Instructions

Switch Fuses OS315...400

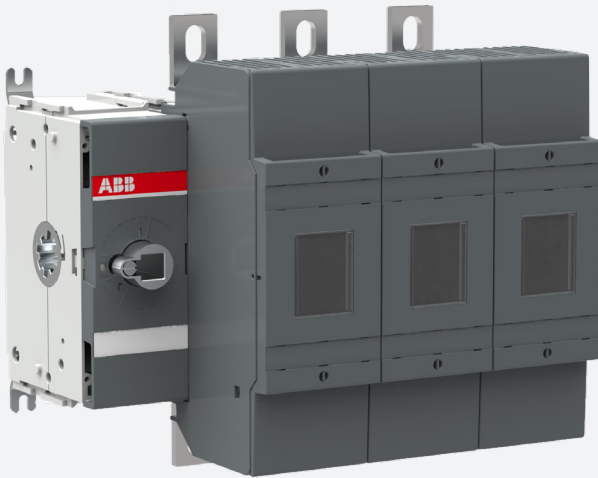


Table of contents

003	Important information
004–006	Disassembly of the switch fuse
007–009	Disassembly of the pole
010–014	Disassembly of the mechanism
015–017	Component list
018	Recycling information in accordance with the WEEE

Important information

This document shows the disassembly process of OS315...400 switch fuses. Accessories, such as shafts, shrouds, additional poles and auxiliary contacts are not included. **Note! This document is for recycling purposes only.**

This document uses OS400J03 version as a reference product, and it covers other versions of OS315...400 switch fuses with few differences to be taken into account. These differences include number of poles, pole configuration, side or front operation. Other differences between switch fuses may result from accessories, including shafts, handles, phase barriers, shrouds, connection bars, auxiliary contacts, mechanical lugs and interlocks.

Safety Notes

Before starting the disassembly process it is mandatory to put the switch fuse in open position.

Disassembly of switch fuses must be performed by qualified and skilled personnel in the electrical field (IEV 195-04-01: person with relevant education and experience to enable him or her to perceive risks and to avoid hazards which electricity can create) and having a detailed knowledge of switch fuses.

Disassembly must be done in an ergonomic workspace which can ensure the protection of the person doing the disassembling.

Applicable national legislation and international standards in force at the time of the disassembly of the switch fuses must be taken into account in addition to the prescriptions illustrated in this document.

ABB declines any responsibility for injury to people or damage to property resulting from a failure to comply with the instructions set out in this document and with any applicable safety standard.

Personal Protective Equipment (PPE)

When doing the disassembling following safety Personal Protective Equipment (PPE) must be worn:

Glasses



Gloves



Safety shoes



Protective clothes



Tools

The disassembly process requires the use of tools (e.g. screwdriver, torx key, pliers). Tools to be used are specified inside each phase of the disassembly process.

Disassembly process

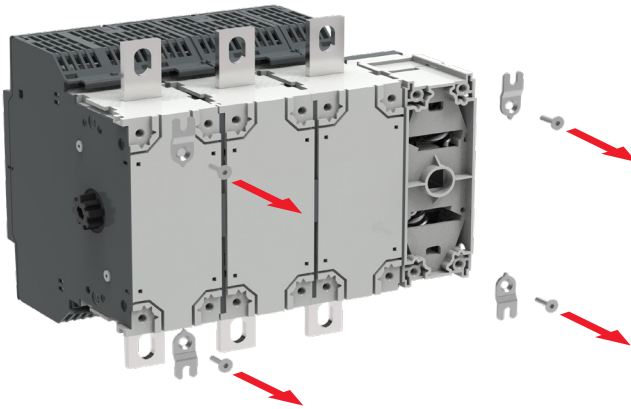
For each phase of the disassembly process the following information is provided:

- Tools to be used
- Pictures showing actions to be performed
- In case of potential hazards signal below is reported:

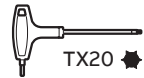


Disassembly of the switch fuse

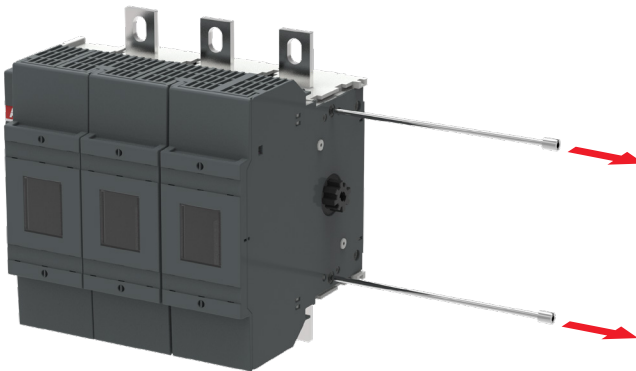
1

**Tools**

Torx key (size 20)



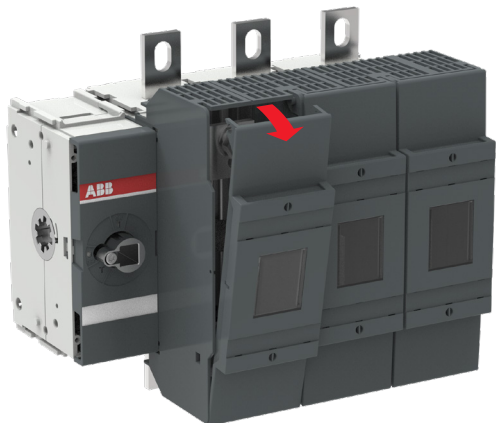
2

**Tools**

Flat screwdriver



3



4



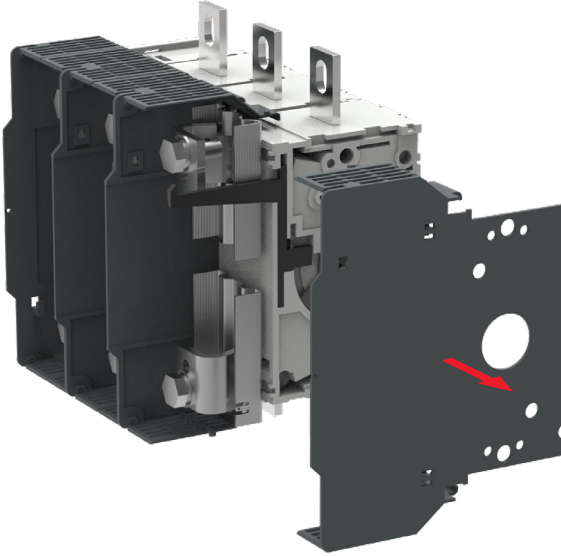
—

Tools

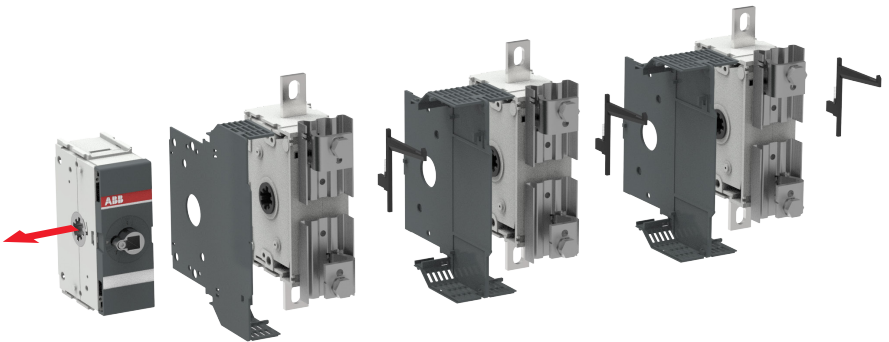
Flat screwdriver



5

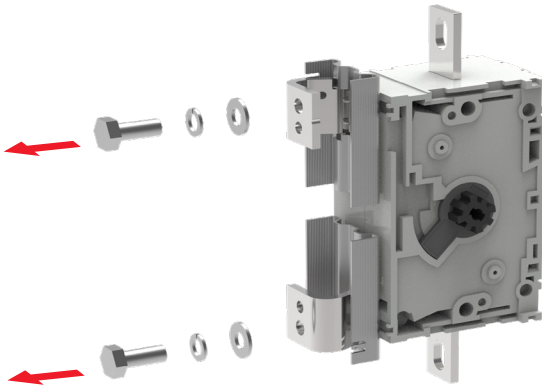


6



Disassembly of the pole

1



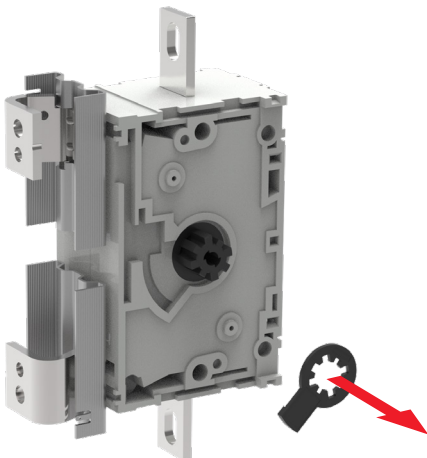
Tools

Socket wrench

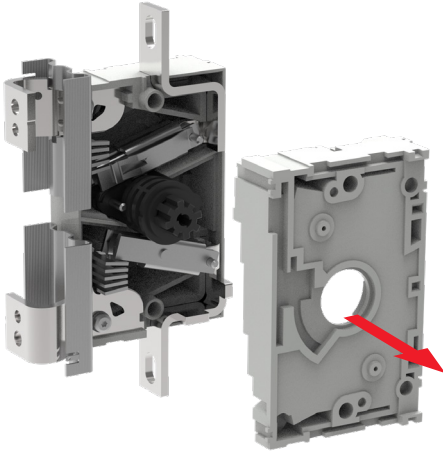


socket 17 mm

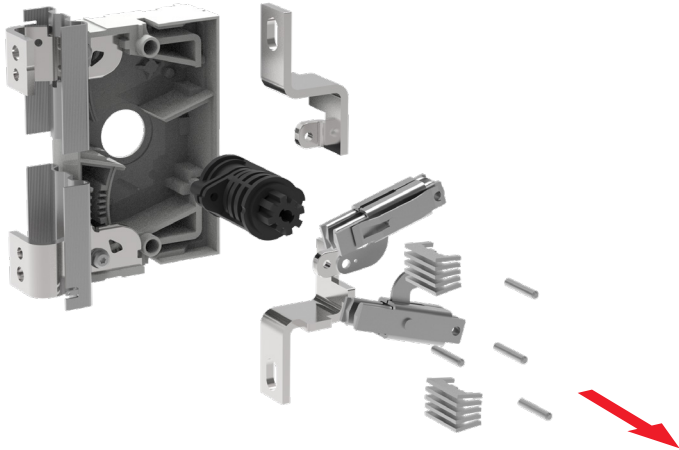
2



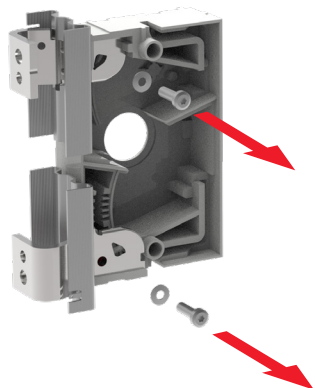
3



4

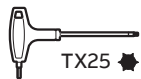


5

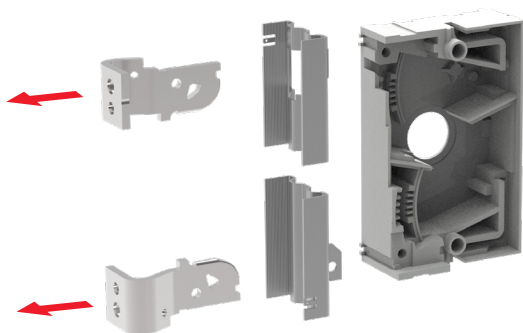


Tools

Torx key (size 25)



6



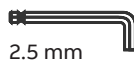
Disassembly of the mechanism

1



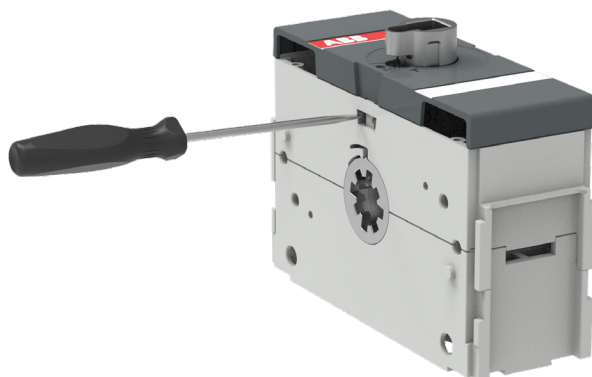
Tools

Hex key



2.5 mm

2

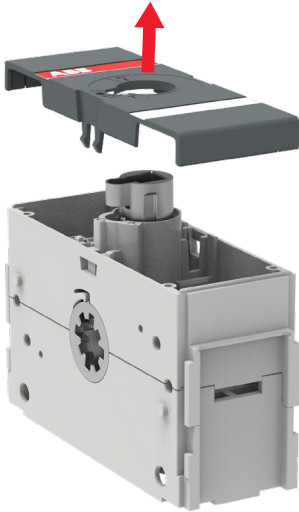


Tools

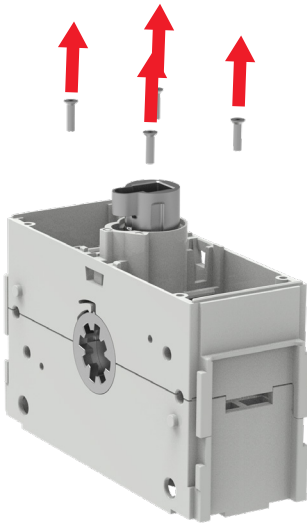
Flat screwdriver



3



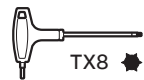
4



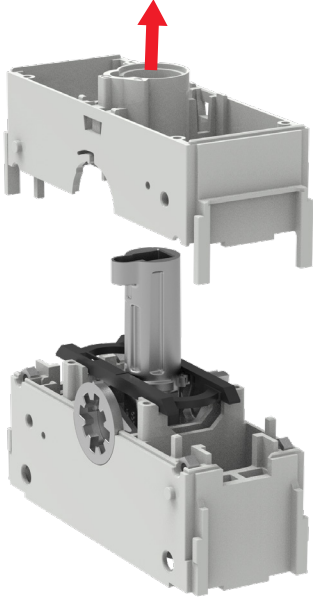
—

Tools

Torx key (size 8)



5



6



7



Component list

Switch fuse OS400J03*

Component name	Quantity	Material(s)	Weight (g/pc)
Pole	3		1620
Locking piece	3	Polyamide	4.3
Locking plug	3	Polyarylamide	2.8
Compression spring	3	Steel	0.09
Phase barrier UL&BS	2	Polyarylamide	115
End plate ULBS	2	Polyarylamide	104
Mechanism	1		661
Shaft locking	1		2.8
Lock spring	1	Steel	0.8
Slot screw	1	Steel	1.8
Spring washer	1	Steel	0.2
O-ring	1	Rubber	0.05
Stud screw	2	Steel	23
Mounting plate	4	Steel	5.09
Cover+window	3		53.4
Cover	1	Polycarbonate	50.8
Window	1	Polycarbonate	2.6
Washer (plated steel)	12	Steel	5.2
Steel hex nut	6	Steel	5.7
Polyethylene plastic film	1	Polyethylene	3
Plate	1	Printed paper	0.9
Mounting set	1		369
Steel hex screw	6	Steel	31.3
Washer	6	Steel	2.4
Washer (plated steel)	12	Steel	7.6
Steel hex nut	6	Steel	11.9
Polyethylene plastic film	1	Polyethylene	3
Plate	1	Printed paper	0.9

*This table concerns the switch fuse OS400J03. Components, quantities, weights and materials may vary depending on the product.

Pole module

Component name	Quantity	Material(s)	Weight (g/pc)
Frame A	1	Polyest-resin	274
Frame B	1	Polyest-resin	281
Roll	1	Polyarylamide	83.5
Contact construction	1		123
Contact knife	2	Copper	32.4
Contact iron	2	Steel	22.6
Contact spring	1	Steel	1.9
Plug	1	Steel	3.5
Interm. rod	1	Steel	7.4
Contact construction	1		123
Contact knife	2	Copper	32.4
Contact iron	2	Steel	22.6
Contact spring	1	Steel	1.9
Plug	1	Steel	3.5
Interm. rod	1	Steel	7.4
Heat sink J/BS	2	Aluminium	26.7
Arc plate	10	Steel	3.9
Fixed contact	2	Copper	128.3
Connection bar	2	Copper	142.3
Plug	4	Steel	4.5
Screw	2	Steel	6.9
Spring washer	2	Steel	4.5
Steel hex screw	2		34.3
Hex screw	1	Steel	28.2
Washer-cut	1	Steel	1.79
Washer	1	Steel	4.3

Mechanism

Component name	Quantity	Material(s)	Weight (g/pc)
Plastic parts	1		279
Frame	1	Polyamide	163.5
Frame	1	Polyamide	92.3
Contact guide support	1	Polyamide	5.9
Cover	1	Polycarbonate	17.4
Metal parts	1		381.4
Pipeshaft	1	Zinc alloy	148
Lever	1	Zinc alloy	90
Over centre device	1	Zinc alloy	67
Spring	2	Steel	29.5
Rhythm spring	1	Steel	3
Steel hex nut	8	Steel	1.3
Screw	4	Steel	1

Recycling information in accordance with the WEEE

The product is marked with the wheelie bin symbol. It indicates that at the end of life the product should enter the recycling system.

You should dispose of it separately at an appropriate collection point and not place it in the normal waste stream.

The figure below shows the wheelie bin symbol indicating separate collection for electrical and electronic equipment (EEE).



The horizontal bar underneath the crossed-out wheelie bin indicates that the equipment has been manufactured after the Directive came into force in 2005.

The wheelie bin symbol is added to the type designation label of the product since 2017.



Contact us

ABB Oy

P.O. Box 622
FI-65101 Vaasa
Finland

abb.com/lowvoltage