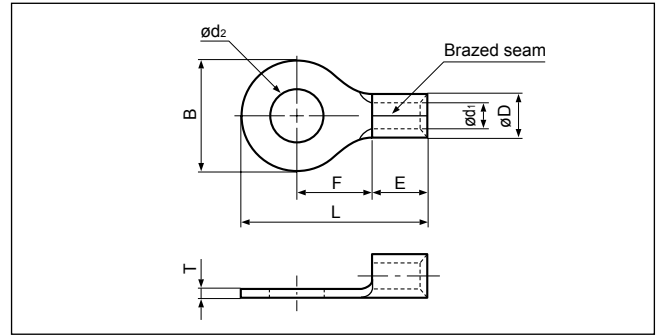


Solderless terminals

RING TONGUE (R type) Non-insulated



JQ0608019
 JQID08002
 JQMY14001
 JIS C 2805

Certificate No.: E42024 LR20812

JIS C 2805

| Applicable Wire AWG#(mm ²) | Stud size | | Part No. | | Standard | Dimensions mm (in.) | | | | | | | | Tool No. | Qty/box |
|---|-----------|---------|-----------|------------|-------------|---------------------|--------------|-------------|-------------|---------------|---------------|-----------------|---------------|---|---------|
| | American | Metric | JST | JIS | | ød ₂ | B | L | F | E | øD | ød ₁ | T | | |
| 26 to 22 (0.2 to 0.5) | 1-2 | 2 | 0.5-2 | | | 2.2 (.087) | 5.2 (.205) | 12.4 (.488) | 5.8 (.228) | 4.0 (.157) | 2.0 (.079) | 1.0 (.039) | 0.5 (.020) | YHT-2622 YA-1 YA-2 BCT-0514L | 1,000 |
| | 3-4 | 3 | 0.5-3 | | | 3.2 (.126) | 5.2 (.205) | 12.4 (.488) | 5.8 (.228) | | | | | | |
| | 5-6 | 3.5 | 0.5-3.7 | | | 3.7 (.146) | 6.6 (.260) | 15.0 (.591) | 7.7 (.303) | | | | | | |
| | 8 | 4 | 0.5-4 | | | 4.3 (.169) | 6.6 (.260) | 15.0 (.591) | 7.7 (.303) | | | | | | |
| | 10 | 5 | 0.5-5 | | | 5.3 (.209) | 8.0 (.315) | 15.0 (.591) | 7.0 (.276) | | | | | | |
| 22 to 16 (0.25 to 1.65) | 1-2 | 2 | 1.25-2 | | | 2.2 (.087) | 5.5 (.217) | 11.5 (.453) | 4.0 (.157) | 4.8 (.189) | 3.4 (.134) | 1.7 (.067) | 0.8 (.031) | YHT-2210 YA-1 YA-2 YA-4 BCT-0514L | 1,000 |
| | 3-4 | 3 | 1.25-3 | R1.25-3 | | | 3.2 (.126) | 5.5 (.217) | 11.5 (.453) | | | | | | |
| | 3-4 | 3 | 1.25-MS3 | | | 3.2 (.126) | 5.5 (.217) | 13.2 (.520) | 5.6 (.220) | | | | | | |
| | 3-4 | 3 | 1.25-M3.3 | | | 3.2 (.126) | 6.6 (.260) | 14.4 (.567) | 6.3 (.248) | | | | | | |
| | 3-4 | 3 | 1.25-L3 | | | 3.2 (.126) | 8.0 (.315) | 15.8 (.622) | 7.0 (.276) | | | | | | |
| | 5-6 | 3.5 | 1.25-3.7 | | | 3.7 (.146) | 5.5 (.217) | 11.5 (.453) | 4.0 (.157) | | | | | | |
| | 5-6 | 3.5 | 1.25-P3.5 | | | 3.7 (.146) | 5.5 (.217) | 13.9 (.547) | 6.3 (.248) | | | | | | |
| | 5-6 | 3.5 | 1.25-M3 | R1.25-3.5 | | | 3.7 (.146) | 6.6 (.260) | 14.4 (.567) | | | | | | |
| | 5-6 | 3.5 | 1.25-L3.7 | | | 3.7 (.146) | 8.0 (.315) | 15.8 (.622) | 7.0 (.276) | | | | | | |
| | 8 | 4 | 1.25-M4 | | | 4.3 (.169) | 6.6 (.260) | 14.4 (.567) | 6.3 (.248) | | | | | | |
| | 8 | 4 | 1.25-4 | R1.25-4 | | 4.3 (.169) | 8.0 (.315) | 15.8 (.622) | 7.0 (.276) | | | | | | |
| | 8 | 4 | 1.25-4NS | | | 4.3 (.169) | 9.0 (.354) | 20.4 (.803) | 11.1 (.437) | | | | | | |
| | 10 | 5 | 1.25-5 | R1.25-5 | | | 5.3 (.209) | 8.0 (.315) | 15.8 (.622) | | | | | | |
| | 10 | 5 | 1.25-5NS | | | 5.3 (.209) | 9.0 (.354) | 20.4 (.803) | 11.1 (.437) | | | | | | |
| | 10 | 5 | 1.25-L5 | | | 5.3 (.209) | 11.6 (.457) | 21.7 (.854) | 11.1 (.437) | | | | | | |
| | 1/4 | 6 | 1.25-6 | | | 6.4 (.252) | 11.6 (.457) | 21.7 (.854) | 11.1 (.437) | | | | | | |
| 5/16 | 8 | 1.25-8 | | 8.4 (.331) | | 11.6 (.457) | 21.7 (.854) | 11.1 (.437) | | | | | | | |
| 3/8 | 10 | 1.25-10 | | | 10.5 (.413) | 13.6 (.535) | 25.5 (1.004) | 13.9 (.547) | | | | | | | |
| 1/2 | 12 | 1.25-12 | | | 13.0 (.512) | 19.0 (.748) | 31.0 (1.220) | 16.7 (.657) | | | | | | | |
| 16 to 14 (1.04 to 2.63) | 1-2 | 2 | 2-S2 | | | 2.2 (.087) | 6.4 (.252) | 12.3 (.484) | 4.3 (.169) | 4.8 (.189) | 4.1 (.161) | 2.3 (.091) | 0.8 (.031) | YHT-2210 YA-1 YA-2 YA-4 BCT-0514L | 1,000 |
| | 3-4 | 3 | 2-MS3 | | | 3.2 (.126) | 5.5 (.217) | 13.2 (.520) | 5.6 (.220) | | | | | | |
| | 3-4 | 3 | 2-S3.3 | | | 3.2 (.126) | 6.4 (.252) | 12.3 (.484) | 4.3 (.169) | | | | | | |
| | 3-4 | 3 | 2-M3.3 | | | 3.2 (.126) | 6.6 (.260) | 14.4 (.567) | 6.3 (.248) | | | | | | |
| | 3-4 | 3 | 2-3 | | | 3.2 (.126) | 8.5 (.335) | 16.8 (.661) | 7.8 (.307) | | | | | | |
| | 5-6 | 3.5 | 2-MS3.5 | | | 3.7 (.146) | 5.5 (.217) | 13.9 (.547) | 6.3 (.248) | | | | | | |
| | 5-6 | 3.5 | 2-S3 | | | | 3.7 (.146) | 6.4 (.252) | 12.3 (.484) | | | | | | |
| | 5-6 | 3.5 | 2-M3 | R2-3.5 | | 3.7 (.146) | 6.6 (.260) | 14.4 (.567) | 6.3 (.248) | | | | | | |
| | 5-6 | 3.5 | 2-P3.5 | | | 3.7 (.146) | 7.0 (.276) | 16.0 (.630) | 7.7 (.303) | | | | | | |
| | 5-6 | 3.5 | 2-3.7 | | | 3.7 (.146) | 8.5 (.335) | 16.8 (.661) | 7.8 (.307) | | | | | | |
| | 8 | 4 | 2-M4 | | | 4.3 (.169) | 6.6 (.260) | 14.4 (.567) | 6.3 (.248) | | | | | | |
| | 8 | 4 | 2-P4 | | | 4.3 (.169) | 7.0 (.276) | 16.0 (.630) | 7.7 (.303) | | | | | | |
| | 8 | 4 | 2-4 | R2-4 | | 4.3 (.169) | 8.5 (.335) | 16.8 (.661) | 7.8 (.307) | | | | | | |
| | 8 | 4 | 2-4NS | | | 4.3 (.169) | 9.0 (.354) | 20.3 (.799) | 11.0 (.433) | | | | | | |
| | 10 | 5 | 2-M5 | | | | 5.3 (.209) | 8.5 (.335) | 16.8 (.661) | | | | | | |
| | 10 | 5 | 2-5NS | | | 5.3 (.209) | 9.0 (.354) | 20.3 (.799) | 11.0 (.433) | | | | | | |
| 10 | 5 | 2-5 | R2-5 | | | 5.3 (.209) | 9.5 (.374) | 16.8 (.661) | 7.3 (.287) | | | | | | |
| 1/4 | 6 | 2-6 | R2-6 | | 6.4 (.252) | 12.0 (.472) | 21.8 (.858) | 11.0 (.433) | | | | | | | |
| 5/16 | 8 | 2-8 | R2-8 | | 8.4 (.331) | 12.0 (.472) | 21.8 (.858) | 11.0 (.433) | | | | | | | |

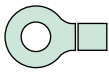
Note: 1) Products with the JIS mark conform to JIS C2805.

2) The part numbers indicated in the above table are for products with a brazed seam.

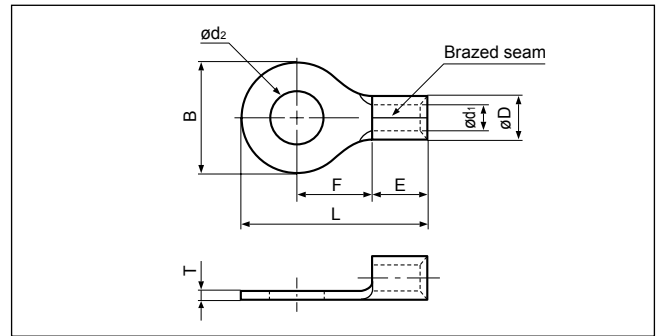
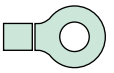
When ordering products with a nominal size of 0.5 to 5.5 with a butted seam, add the prefix "WS" to the part number (ex. 2-4 → **WS2-4**).

3) Delivery lead times may vary depending on the product. Contact JST for details.

Solderless terminals



RING TONGUE (R type) Non-insulated



| Applicable Wire AWG#(mm ²) | Stud size | | Part No. | | Standard | Dimensions mm (in.) | | | | | | | | Tool No. | Qty/box |
|---|-----------|--------|----------|-------------|------------------|---------------------|-------------|-------------|-------------|---------------|---------------|---------------|---|---|------------|
| | American | Metric | JST | JIS | | ϕd_2 | B | L | F | E | ϕD | ϕd_1 | T | | |
| 16 to 14 (1.04 to 2.63) | 3/8 | 10 | 2-10 | | UL JIS | 10.5 (.413) | 13.6 (.535) | 25.5(1.004) | 13.9 (.547) | 4.8 (.189) | 4.1 (.161) | 2.3 (.091) | 0.8 (.031) | YHT-2210 YA-1 YA-2 YA-4 BCT-0514L | 1,000 |
| | 1/2 | 12 | 2-12 | | | 13.0 (.512) | 19.0 (.748) | 31.0(1.220) | 16.7 (.675) | | | | | | 500 |
| | 1/2 | 14 | 2-14 | | | 15.0 (.591) | 27.0(1.063) | 39.5(1.555) | 21.2 (.835) | | | | | | |
| | 5/8 | 16 | 2-16 | | | 17.0 (.669) | 27.0(1.063) | 39.5(1.555) | 21.2 (.835) | | | | | | |
| | 3/4 | 20 | 2-20 | | | 21.0 (.827) | 27.0(1.063) | 39.5(1.555) | 21.2 (.835) | | | | | | |
| 14 to 12 (3.5) | 3-4 | 3 | 3.5-R3 | | UL JIS | 3.2 (.126) | 8.0 (.315) | 17.8 (.707) | 9.0 (.354) | 4.8 (.189) | 4.8 (.189) | 2.7 (.106) | 1.0 (.039) | YHT-2210 (Dies mark. 5) BCT-0514L | 1,000 |
| | 8 | 4 | 3.5-R4 | | | 4.3 (.169) | 8.0 (.315) | 17.8 (.707) | 9.0 (.354) | | | | | | |
| | 8 | 4 | 3.5-4 | | | 4.3 (.169) | 10.3 (.406) | 18.6 (.732) | 8.6 (.339) | | | | | | |
| | 10 | 5 | 3.5-R5 | | | 5.3 (.209) | 8.0 (.315) | 17.8 (.707) | 9.0 (.354) | | | | | | |
| | 10 | 5 | 3.5-5 | | | 5.3 (.209) | 10.3 (.406) | 18.6 (.732) | 8.6 (.339) | | | | | | |
| | 1/4 | 6 | 3.5-6 | | | 6.4 (.252) | 10.3 (.406) | 18.6 (.732) | 8.6 (.339) | | | | | | |
| 12 to 10 (2.63 to 6.64) | 3-4 | 3 | 5.5-S3.3 | | UL JIS | 3.2 (.126) | 7.2 (.283) | 15.7 (.618) | 5.9 (.232) | 5.6 (.220) | 3.4 (.134) | 1.0 (.039) | YHT-2210 YA-1 YA-2 YA-4 BCT-0514L | 500 | |
| | 3-4 | 3 | 5.5-3 | | | 3.2 (.126) | 9.5 (.374) | 19.8 (.780) | 8.3 (.327) | | | | | | 6.8 (.268) |
| | 5-6 | 3.5 | 5.5-S3 | | | 3.7 (.146) | 7.2 (.283) | 15.7 (.618) | 5.9 (.232) | | | | | | 6.2 (.244) |
| | 5-6 | 3.5 | 5.5-3.7 | | | 3.7 (.146) | 9.5 (.374) | 19.8 (.780) | 8.3 (.327) | | | | | | 6.8 (.268) |
| | 8 | 4 | 5.5-S4 | | UL JIS | 4.3 (.169) | 7.2 (.283) | 15.7 (.618) | 5.9 (.232) | 6.8 (.268) | 3.4 (.134) | 1.0 (.039) | | 1,000 | |
| | 8 | 4 | 5.5-4NS | | | 4.3 (.169) | 8.0 (.315) | 19.1 (.752) | 8.3 (.327) | | | | | | |
| | 8 | 4 | 5.5-4 | R5.5-4 | UL JIS JIS | 4.3 (.169) | 9.5 (.374) | 19.8 (.780) | 8.3 (.327) | | | | | | |
| | 10 | 5 | 5.5-5NS | | UL JIS | 5.3 (.209) | 8.0 (.315) | 19.1 (.752) | 8.3 (.327) | | | | | | |
| | 10 | 5 | 5.5-5 | R5.5-5 | UL JIS JIS | 5.3 (.209) | 9.5 (.374) | 19.8 (.780) | 8.3 (.327) | | | | | | |
| | 10 | 5 | 5.5-S5 | | UL JIS | 5.3 (.209) | 13.2 (.520) | 22.4 (.882) | 9.0 (.354) | | | | | | |
| | 1/4 | 6 | 5.5-6NS | | UL JIS | 6.4 (.252) | 9.0 (.354) | 24.3 (.957) | 13.0 (.512) | | | | | | |
| | 1/4 | 6 | 5.5-6 | R5.5-6 | UL JIS JIS | 6.4 (.252) | 12.0 (.472) | 25.8(1.016) | 13.0 (.512) | | | | | | |
| | 1/4 | 6 | 5.5-S6 | | UL JIS | 6.4 (.252) | 13.2 (.520) | 22.4 (.882) | 9.0 (.354) | | | | | | |
| | 1/4 | 6 | 5.5-L6 | | UL JIS | 6.4 (.252) | 15.0 (.591) | 28.0(1.102) | 13.7 (.539) | | | | | | |
| | 5/16 | 8 | 5.5-S8 | | UL JIS | 8.4 (.331) | 13.2 (.520) | 22.4 (.882) | 9.0 (.354) | | | | | | |
| | 5/16 | 8 | 5.5-8 | R5.5-8 | | UL JIS JIS | 8.4 (.331) | 15.0 (.591) | 28.0(1.102) | | | | | 13.7 (.539) | |
| | 3/8 | 9 | 5.5-9 | | UL JIS | 9.8 (.386) | 15.0 (.591) | 28.0(1.102) | 13.7 (.539) | | | | | | |
| | 3/8 | 10 | 5.5-10 | R5.5-10 | UL JIS JIS | 10.5 (.413) | 15.0 (.591) | 28.0(1.102) | 13.7 (.539) | | | | | | |
| | 1/2 | 12 | 5.5-12 | | UL JIS | 13.0 (.512) | 19.2 (.756) | 32.4(1.276) | 16.0 (.630) | | | | | | |
| | 1/2 | 14 | 5.5-14 | | | 15.0 (.591) | 32.0(1.260) | 48.1(1.894) | 25.3 (.996) | | | | | | |
| 5/8 | 16 | 5.5-16 | | 17.0 (.669) | | 32.0(1.260) | 48.1(1.894) | 25.3 (.996) | | | | | | | |
| 11/16 | 18 | 5.5-18 | | 19.0 (.748) | | 32.0(1.260) | 48.1(1.894) | 25.3 (.996) | | | | | | | |
| 3/4 | 20 | 5.5-20 | | UL JIS | 21.0 (.827) | 32.0(1.260) | 48.1(1.894) | 25.3 (.996) | | | | | | | |

Note: 1) Products with the JIS mark (JIS) conform to JIS C2805.

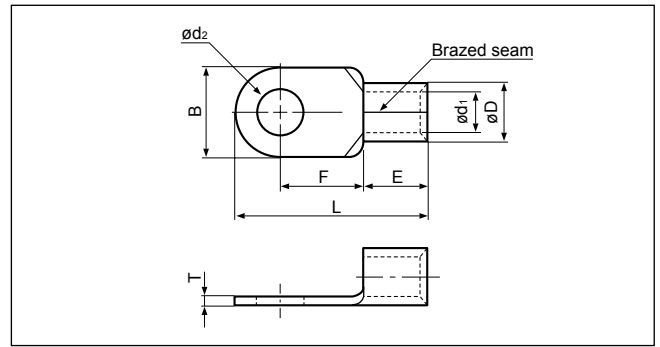
2) The part numbers indicated in the above table are for products with a braided seam.

When ordering products with a nominal size of 0.5 to 5.5 with a butted seam, add the prefix "WS" to the part number (ex. 5.5-4 → **WS5.5-4**).

3) Delivery lead times may vary depending on the product. Contact JST for details.

Solderless terminals

RING TONGUE (R type) Non-insulated



| Applicable Wire AWG#(mm ²) | Stud size | | Part No. | | Standard | Dimensions mm (in.) | | | | | | | Tool No. | Qty/box | |
|---|-----------|--------|----------|-------|-------------|---------------------|-------------|-------------|-------------|------------|---------------|-----------------|---------------|--|-------|
| | American | Metric | JST | JIS | | ød ₂ | B | L | F | E | øD | ød ₁ | | | T |
| 8 (6.64 to 10.52) | 8 | 4 | 8-NK4 | | | 4.3 (.169) | 9.0 (.354) | 16.5 (.650) | 5.8 (.228) | 6.2 (.244) | 7.1 (.280) | 4.5 (.177) | 1.2 (.047) | YA-4 YPT-60N YF-1 YET-60-1 E-4 EP-1 (Note 2) | 500 |
| | 8 | 4 | 8-4NS | | | 4.3 (.169) | 8.0 (.315) | 21.8 (.858) | 9.3 (.366) | 8.5 (.335) | | | | YHT-8S YA-4, YA-5 YPT-60N YPT-150-1 BCT-0514L BCT-860L BCT-8150L YF-1 YET-60-1 E-4 YET-150-1 EP-1 YET-60-1 | 1,000 |
| | 8 | 4 | 8-4 | | | 4.3 (.169) | 12.0 (.472) | 23.8 (.937) | 9.3 (.366) | 8.5 (.335) | | | | YA-4 YPT-60N YF-1 YET-60-1 E-4 EP-1 (Note 2) | 500 |
| | 10 | 5 | 8-NK5 | | | 5.3 (.209) | 9.0 (.354) | 16.5 (.650) | 5.8 (.228) | 6.2 (.244) | | | | YHT-8S YA-4 YA-5 YPT-60N YPT-150-1 BCT-0514L BCT-860L BCT-8150L YF-1 YET-60-1 E-4 YET-150-1 EP-1 YET-60-1 | 1,000 |
| | 10 | 5 | 8-5NS | | | 5.3 (.209) | 9.0 (.354) | 22.3 (.878) | 9.3 (.366) | 8.5 (.335) | | | | 500 | |
| | 10 | 5 | 8-5 | R8-5 | | 5.3 (.209) | 12.0 (.472) | 23.8 (.937) | 9.3 (.366) | | | | | YHT-8S YA-4 YA-5 YPT-60N YPT-150-1 BCT-0514L BCT-860L BCT-8150L YF-1 YET-60-1 E-4 YET-150-1 EP-1 YET-60-1 | 1,000 |
| | 10 | 5 | 8-L5NS | | | 5.3 (.209) | 9.0 (.354) | 26.8(1.055) | 13.8 (.543) | | | | | 500 | |
| | 10 | 5 | 8-L5 | | | 5.3 (.209) | 15.0 (.591) | 29.8(1.173) | 13.8 (.543) | | | | | 500 | |
| | 1/4 | 6 | 8-6NS | | | 6.4 (.252) | 9.6 (.378) | 22.6 (.890) | 9.3 (.366) | | | | | 1,000 | |
| | 1/4 | 6 | 8-6 | R8-6 | | 6.4 (.252) | 12.0 (.472) | 23.8 (.937) | 9.3 (.366) | | | | | 500 | |
| | 1/4 | 6 | 8-L6 | | | 6.4 (.252) | 15.0 (.591) | 29.8(1.173) | 13.8 (.543) | | | | | 1,000 | |
| | 5/16 | 8 | 8-8NS | | | 8.4 (.331) | 11.5 (.453) | 28.1(1.106) | 13.8 (.543) | | | | | 500 | |
| | 5/16 | 8 | 8-8 | R8-8 | | 8.4 (.331) | 15.0 (.591) | 29.8(1.173) | 13.8 (.543) | | | | | 1,000 | |
| | 3/8 | 10 | 8-10 | R8-10 | | 10.5 (.413) | 15.0 (.591) | 29.8(1.173) | 13.8 (.543) | | | | | 500 | |
| | 3/8 | 10 | 8-L10 | | | 10.5 (.413) | 20.0 (.787) | 33.5(1.319) | 15.0 (.591) | | | | | 200 | |
| | 7/16 | 11 | 8-11 | | | 11.5 (.453) | 20.0 (.787) | 33.5(1.319) | 15.0 (.591) | | | | | | |
| | 1/2 | 12 | 8-12 | | | 13.0 (.512) | 20.0 (.787) | 33.5(1.319) | 15.0 (.591) | | | | | | |
| | 1/2 | 14 | 8-14 | | | 15.0 (.591) | 31.6(1.244) | 50.0(1.969) | 25.7(1.012) | | | | | | |
| 5/8 | 16 | 8-16 | | | 17.0 (.669) | 31.6(1.244) | 50.0(1.969) | 25.7(1.012) | | | | | | | |
| 11/16 | 18 | 8-18 | | | 19.0 (.748) | 31.6(1.244) | 50.0(1.969) | 25.7(1.012) | | | | | | | |
| 3/4 | 20 | 8-20 | | | 21.0 (.827) | 31.6(1.244) | 50.0(1.969) | 25.7(1.012) | | | | | | | |

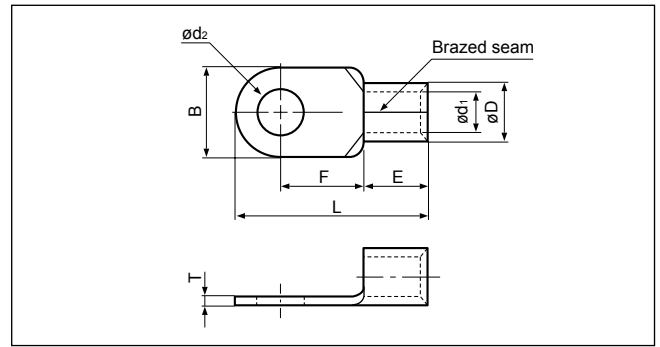
Note:1) Products with the JIS mark conform to JIS C2805.

2) Please use the die AD-901S for the pneumatic tool YA-4, and the die 8NK-6 for the hydraulic tools YPT-60N/YET-60-1.


3) Delivery lead times may vary depending on the product. Contact JST for details.

Solderless terminals

RING TONGUE (R type) Non-insulated



| Applicable Wire AWG#(mm ²) | Stud size | | Part No. | | Standard | Dimensions mm (in.) | | | | | | | Tool No. | Qty/box | |
|---|-----------|--------|----------|--------|-------------|---------------------|-------------|-------------|-------------|----------------|----------------|---------------|---------------|--|-----|
| | American | Metric | JST | JIS | | ød2 | B | L | F | E | øD | ød1 | | | T |
| 6 (10.52 to 16.78) | 8 | 4 | 14-4 | | | 4.3 (.169) | 12.0 (.472) | 29.8(1.173) | 13.3 (.524) | 10.5 (.413) | 9.0 (.354) | 5.8 (.228) | 1.5 (.059) | YA-4 YA-5 YPT-60N BCT-0514L BCT-860L BCT-8150L YF-1 YET-60-1 E-4 YET-150-1 EP-1 YET-60-1 | 200 |
| | 8 | 4 | 14-NK4 | | UL | 4.3 (.169) | 12.2 (.480) | 23.0 (.906) | 7.7 (.303) | 9.2 (.362) | | | | | |
| | 10 | 5 | 14-5NS | | | 5.3 (.209) | 9.0 (.354) | 28.3(1.114) | 13.3 (.524) | 10.5 (.413) | | | | | |
| | 10 | 5 | | R14-5 | UL | 5.3 (.209) | 12.0 (.472) | 29.8(1.173) | 13.3 (.524) | 10.5 (.413) | | | | | |
| | 10 | 5 | 14-NK5 | | UL | 5.3 (.209) | 12.2 (.480) | 23.0 (.906) | 7.7 (.303) | 9.2 (.362) | | | | | |
| | 1/4 | 6 | 14-6NS | | | 6.4 (.252) | 9.6 (.378) | 28.6(1.126) | 13.3 (.524) | 10.5 (.413) | | | | | |
| | 1/4 | 6 | 14-6 | R14-6 | UL | 6.4 (.252) | 12.0 (.472) | 29.8(1.173) | 13.3 (.524) | 10.5 (.413) | | | | | |
| | 1/4 | 6 | 14-L6 | | | 6.4 (.252) | 16.0 (.630) | 32.8(1.291) | 14.5 (.571) | 10.5 (.413) | | | | | |
| | 5/16 | 8 | 14-8NS | | UL | 8.4 (.331) | 11.5 (.453) | 30.8(1.213) | 14.5 (.571) | 10.5 (.413) | | | | | |
| | 5/16 | 8 | 14-S8 | | | 8.4 (.331) | 12.0 (.472) | 31.0(1.220) | 14.5 (.571) | 10.5 (.413) | | | | | |
| | 5/16 | 8 | 14-8 | R14-8 | UL | 8.4 (.331) | 16.0 (.630) | 32.8(1.291) | 14.5 (.571) | 10.5 (.413) | | | | | |
| | 3/8 | 9 | 14-9 | | UL | 9.8 (.386) | 16.0 (.630) | 32.8(1.291) | 14.5 (.571) | 10.5 (.413) | | | | | |
| | 3/8 | 10 | 14-10 | R14-10 | UL | 10.5 (.413) | 16.0 (.630) | 32.8(1.291) | 14.5 (.571) | 10.5 (.413) | | | | | |
| | 3/8 | 10 | 14-L10 | | UL | 10.5 (.413) | 22.0 (.866) | 41.0(1.614) | 19.5 (.739) | 10.5 (.413) | | | | | |
| | 7/16 | 11 | 14-11 | | UL | 11.5 (.453) | 22.0 (.866) | 41.0(1.614) | 19.5 (.739) | 10.5 (.413) | | | | | |
| | 1/2 | 12 | 14-12 | R14-12 | UL | 13.0 (.512) | 22.0 (.866) | 41.0(1.614) | 19.5 (.739) | 10.5 (.413) | | | | | |
| | 1/2 | 14 | 14-14 | R14-14 | UL | 15.0 (.591) | 30.0(1.181) | 49.0(1.929) | 23.5 (.925) | 10.5 (.413) | | | | | |
| | 5/8 | 16 | 14-16 | | | 17.0 (.669) | 31.6(1.244) | 51.5(2.028) | 25.2 (.992) | 10.5 (.413) | | | | | |
| 11/16 | 18 | 14-18 | | UL | 19.0 (.748) | 31.6(1.244) | 51.5(2.028) | 25.2 (.992) | 10.5 (.413) | | | | | | |
| 3/4 | 20 | 14-20 | | | 21.0 (.827) | 31.6(1.244) | 51.5(2.028) | 25.2 (.992) | 10.5 (.413) | | | | | | |
| 4 (16.78 to 26.66) | 10 | 5 | 22-5NS | | | 5.3 (.209) | 9.5 (.374) | 28.7(1.130) | 12.0 (.472) | 12.0 (.472) | 11.5 (.453) | 7.7 (.303) | 1.8 (.071) | YA-5 YPT-60N YPT-150-1 BCT-860L BCT-8150L YF-1 YET-60-1 E-4 YET-150-1 EP-1 YET-60-1 | 100 |
| | 10 | 5 | 22-S5 | | UL | 5.3 (.209) | 12.0 (.472) | 30.0(1.181) | 12.0 (.472) | | | | | | |
| | 10 | 5 | 22-5 | | | 5.3 (.209) | 16.5 (.650) | 33.7(1.327) | 13.5 (.531) | | | | | | |
| | 1/4 | 6 | 22-S6 | | | 6.4 (.252) | 12.0 (.472) | 30.0(1.181) | 12.0 (.472) | | | | | | |
| | 1/4 | 6 | 22-6 | R22-6 | UL | 6.4 (.252) | 16.5 (.650) | 33.7(1.327) | 13.5 (.531) | | | | | | |
| | 5/16 | 8 | 22-S8 | | UL | 8.4 (.331) | 12.0 (.427) | 30.0(1.181) | 12.0 (.472) | | | | | | |
| | 5/16 | 8 | 22-8 | R22-8 | UL | 8.4 (.331) | 16.5 (.650) | 33.7(1.327) | 13.5 (.531) | | | | | | |
| | 3/8 | 9 | 22-9 | | UL | 9.8 (.386) | 17.5 (.689) | 36.7(1.445) | 16.0 (.630) | | | | | | |
| | 3/8 | 10 | 22-S10 | | UL | 10.5 (.413) | 16.5 (.650) | 33.7(1.327) | 13.5 (.531) | | | | | | |
| | 3/8 | 10 | 22-10 | R22-10 | UL | 10.5 (.413) | 17.5 (.689) | 36.7(1.445) | 16.0 (.630) | | | | | | |
| | 7/16 | 11 | 22-11 | | UL | 11.5 (.453) | 22.0 (.866) | 42.5(1.673) | 19.5 (.768) | | | | | | |
| | 1/2 | 12 | 22-12 | R22-12 | UL | 13.0 (.512) | 22.0 (.866) | 42.5(1.673) | 19.5 (.768) | | | | | | |
| | 1/2 | 14 | | R22-14 | UL | 15.0 (.591) | 30.0(1.181) | 51.5(2.038) | 24.5 (.965) | | | | | | |
| | 5/8 | 16 | 22-16 | | | 17.0 (.669) | 30.0(1.181) | 51.5(2.028) | 24.5 (.965) | | | | | | |
| 11/16 | 18 | 22-18 | | UL | 19.0 (.748) | 30.0(1.181) | 51.5(2.028) | 24.5 (.965) | | | | | | | |
| 3/4 | 20 | 22-20 | | | 21.0 (.827) | 30.0(1.181) | 51.5(2.028) | 24.5 (.965) | | | | | | | |

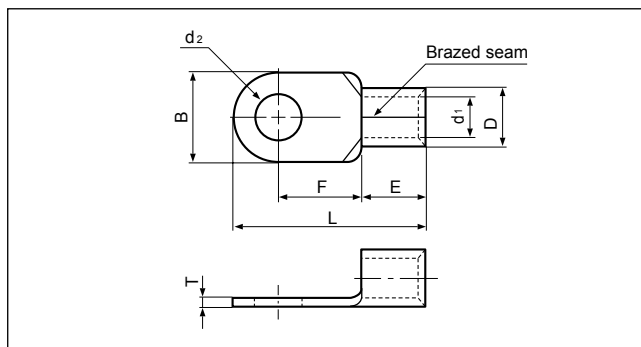
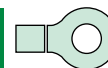
Note:1) Products with the JIS mark  conform to JIS C2805.

2) Delivery lead times may vary depending on the product. Contact JST for details.

Solderless terminals



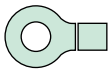
RING TONGUE (R type) Non-insulated



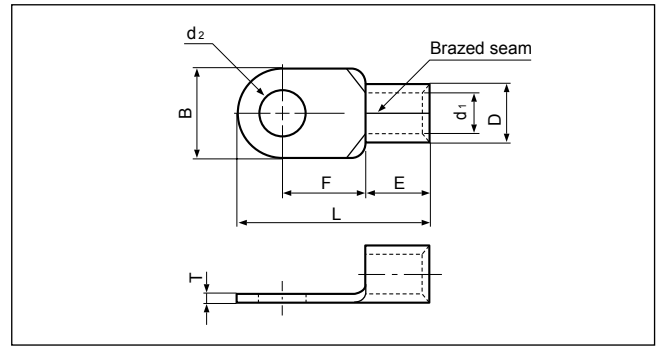
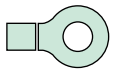
| Applicable Wire AWG#(mm ²) | Stud size | | Part No. | | Standard | Dimensions mm (in.) | | | | | | | | Tool No. | Qty/box |
|---|-----------|--------|----------|-------------|--------------|---------------------|-------------|-------------|----------------|----------------|----------------|-----------------|---|--|---------|
| | American | Metric | JST | JIS | | ød ₂ | B | L | F | E | øD | ød ₁ | T | | |
| 2 (26.66 to 42.42) | 10 | 5 | 38-S5 | | UL LF0001 | 5.3 (.209) | 15.5 (.610) | 38.0(1.496) | 16.0 (.630) | 14.0 (.551) | 13.3 (.524) | 9.4 (.370) | 1.8 (.071) | YA-5 YPT-60N YPT-150-1 BCT-860L BCT-8150L YF-1 E-4 EP-1 | 100 |
| | 10 | 5 | 38-5 | | | 5.3 (.209) | 22.0 (.866) | 42.7(1.681) | 17.7 (.697) | | | | | | |
| | 1/4 | 6 | 38-S6 | | | 6.4 (.252) | 15.5 (.610) | 38.0(1.496) | 16.0 (.630) | | | | | | |
| | 1/4 | 6 | 38-6 | | | 6.4 (.252) | 22.0 (.866) | 42.7(1.681) | 17.7 (.697) | | | | | | |
| | 5/16 | 8 | 38-S8 | | | 8.4 (.331) | 15.5 (.610) | 38.0(1.496) | 16.0 (.630) | | | | | | |
| | 5/16 | 8 | 38-8 | R38-8 | | UL LF0001 | 8.4 (.331) | 22.0 (.866) | 42.7(1.681) | | | | | | |
| | 5/16 | 8 | 38-L8 | | 8.4 (.331) | 30.0(1.181) | 52.5(2.067) | 23.5 (.925) | | | | | | | |
| | 3/8 | 9 | 38-9 | | 9.8 (.386) | 22.0 (.866) | 42.7(1.681) | 17.7 (.697) | | | | | | | |
| | 3/8 | 10 | 38-S10 | | 10.5 (.413) | 15.5 (.610) | 38.0(1.496) | 16.0 (.630) | | | | | | | |
| | 3/8 | 10 | 38-10 | R38-10 | UL LF0001 | 10.5 (.413) | 22.0 (.866) | 42.7(1.681) | 17.7 (.697) | | | | | | |
| | 3/8 | 10 | 38-L10 | | 10.5 (.413) | 30.0(1.181) | 52.5(2.067) | 23.5 (.925) | | | | | | | |
| | 7/16 | 11 | 38-11 | | 11.5 (.453) | 22.0 (.866) | 42.7(1.681) | 17.7 (.697) | | | | | | | |
| | 1/2 | 12 | 38-12 | R38-12 | UL LF0001 | 13.0 (.512) | 22.0 (.866) | 42.7(1.681) | 17.7 (.697) | | | | | | |
| | 1/2 | 14 | 38-14 | R38-14 | UL LF0001 | 15.0 (.591) | 30.0(1.181) | 52.5(2.067) | 23.5 (.925) | | | | | | |
| 5/8 | 16 | 38-16 | | 17.0 (.669) | 30.0(1.181) | 52.5(2.067) | 23.5 (.925) | | | | | | | | |
| 11/16 | 18 | 38-18 | | 19.0 (.748) | 30.0(1.181) | 52.5(2.067) | 23.5 (.925) | | | | | | | | |
| 3/4 | 20 | 38-20 | | 21.0 (.827) | 30.0(1.181) | 52.5(2.067) | 23.5 (.925) | | | | | | | | |
| 1/0 (42.42 to 60.57) | 1/4 | 6 | 60-S6 | | UL LF0001 | 6.4 (.252) | 16.0 (.630) | 46.7(1.839) | 20.7 (.815) | 18.0 (.709) | 15.5 (.610) | 11.4 (.449) | 2.0 (.079) | YA-5 YPT-60N YPT-150-1 BCT-860L BCT-8150L YF-1 E-4 EP-1 | 50 |
| | 1/4 | 6 | 60-6 | | 6.4 (.252) | 22.0 (.866) | 49.7(1.957) | 20.7 (.815) | | | | | | | |
| | 5/16 | 8 | 60-S8 | | 8.4 (.331) | 16.0 (.630) | 46.7(1.839) | 20.7 (.815) | | | | | | | |
| | 5/16 | 8 | 60-8 | R60-8 | UL LF0001 | 8.4 (.331) | 22.0 (.866) | 49.7(1.957) | 20.7 (.815) | | | | | | |
| | 3/8 | 9 | 60-9 | | 9.8 (.386) | 22.0 (.866) | 49.7(1.957) | 20.7 (.815) | | | | | | | |
| | 3/8 | 10 | 60-S10 | | 10.5 (.413) | 16.0 (.630) | 46.7(1.839) | 20.7 (.815) | | | | | | | |
| | 3/8 | 10 | 60-10 | R60-10 | UL LF0001 | 10.5 (.413) | 22.0 (.866) | 49.7(1.957) | 20.7 (.815) | | | | | | |
| | 7/16 | 11 | 60-11 | | 11.5 (.453) | 22.0 (.866) | 49.7(1.957) | 20.7 (.815) | | | | | | | |
| | 1/2 | 12 | 60-12 | R60-12 | UL LF0001 | 13.0 (.512) | 22.0 (.866) | 49.7(1.957) | 20.7 (.815) | | | | | | |
| | 1/2 | 14 | 60-14 | R60-14 | UL LF0001 | 15.0 (.591) | 32.0(1.260) | 57.5(2.264) | 23.5 (.925) | | | | | | |
| | 5/8 | 16 | 60-16 | | 17.0 (.669) | 32.0(1.260) | 57.5(2.264) | 23.5 (.925) | | | | | | | |
| | 11/16 | 18 | 60-18 | | 19.0 (.748) | 32.0(1.260) | 57.5(2.264) | 23.5 (.925) | | | | | | | |
| | 3/4 | 20 | 60-20 | | 21.0 (.827) | 32.0(1.260) | 57.5(2.264) | 23.5 (.925) | | | | | | | |
| 7/8 | 22 | 60-22 | | 23.0 (.906) | 32.0(1.260) | 57.5(2.264) | 23.5 (.925) | | | | | | | | |
| 2/0 (60.57 to 76.28) | 1/4 | 6 | 70-6 | | 6.4 (.252) | 24.0 (.945) | 51.0(2.008) | 20.0 (.787) | 19.0 (.748) | 17.5 (.689) | 13.3 (.524) | 2.0 (.079) | YPT-150-1 BCT-8150L YF-1 E-4 EP-1 | 25 | |
| | 5/16 | 8 | 70-8 | | 8.4 (.331) | 24.0 (.945) | 51.0(2.008) | 20.0 (.787) | | | | | | | |
| | 3/8 | 9 | 70-9 | | 9.8 (.386) | 24.0 (.945) | 51.0(2.008) | 20.0 (.787) | | | | | | | |
| | 3/8 | 10 | 70-10 | | 10.5 (.413) | 24.0 (.945) | 51.0(2.008) | 20.0 (.787) | | | | | | | |
| | 7/16 | 11 | 70-11 | | 11.5 (.453) | 24.0 (.945) | 51.0(2.008) | 20.0 (.787) | | | | | | | |
| | 1/2 | 12 | 70-12 | | 13.0 (.512) | 24.0 (.945) | 51.0(2.008) | 20.0 (.787) | | | | | | | |
| | 1/2 | 14 | 70-14 | | 15.0 (.591) | 32.0(1.260) | 61.0(2.402) | 26.0(1.024) | | | | | | | |
| | 5/8 | 16 | 70-16 | | 17.0 (.669) | 32.0(1.260) | 61.0(2.402) | 26.0(1.024) | | | | | | | |
| | 11/16 | 18 | 70-18 | | 19.0 (.748) | 32.0(1.260) | 61.0(2.402) | 26.0(1.024) | | | | | | | |
| | 3/4 | 20 | 70-20 | | 21.0 (.827) | 32.0(1.260) | 61.0(2.402) | 26.0(1.024) | | | | | | | |
| | 7/8 | 22 | 70-22 | | 23.0 (.906) | 32.0(1.260) | 61.0(2.402) | 26.0(1.024) | | | | | | | |

Note: 1) Products with the JIS mark (㊤) conform to JIS C2805.
 2) Part numbers containing "S0" do not have stud holes.
 3) Delivery lead times may vary depending on the product. Contact JST for details.

Solderless terminals



RING TONGUE (R type) Non-insulated

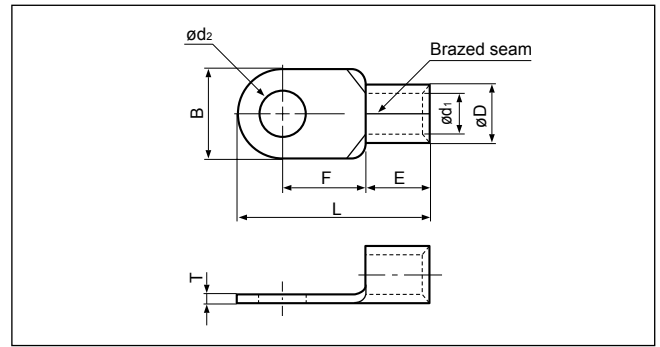
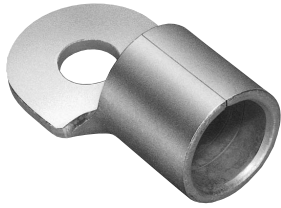


| Applicable Wire AWG#(mm ²) | Stud size | | Part No. | | Standard | Dimensions mm (in.) | | | | | | | | Tool No. | Qty/box |
|---|---------------------------|--------|----------|-------------|-----------------|---------------------|------------------------|-------------|-------------|----------------|----------------|-----------------|---------------|--|---------|
| | American | Metric | JST | JIS | | ød ₂ | B | L | F | E | øD | ød ₁ | T | | |
| 3/0 (76.28 to 96.3) | 1/4 | 6 | 80-6 | | UL CSA SP | 6.4 (.252) | 27.0(1.063) | 54.2(2.134) | 20.7 (.815) | 20.0 (.787) | 19.5 (.768) | 14.5 (.571) | 2.3 (.091) | YPT-150-1 BCT-8150L YF-1 E-4 EP-1 YET-150-1 YF-1 E-4 YET-300-1 YET-300N | 25 |
| | 5/16 | 8 | 80-8 | | | 8.4 (.331) | 27.0(1.063) | 54.2(2.134) | 20.7 (.815) | | | | | | |
| | 5/16 | 8 | 80-L8 | | | 8.4 (.331) | 32.0(1.260) | 68.0(2.677) | 32.0(1.260) | | | | | | |
| | 3/8 | 10 | 80-10 | | | 10.5 (.413) | 27.0(1.063) | 54.2(2.134) | 20.7 (.815) | | | | | | |
| | 3/8 | 10 | 80-L10 | | | 10.5 (.413) | 32.0(1.260) | 68.0(2.677) | 32.0(1.260) | | | | | | |
| | 7/16 | 11 | 80-11 | | | 11.5 (.453) | 27.0(1.063) | 54.2(2.134) | 20.7 (.815) | | | | | | |
| | 1/2 | 12 | 80-12 | | | 13.0 (.512) | 27.0(1.063) | 54.2(2.134) | 20.7 (.815) | | | | | | |
| | 1/2 | 12 | 80-L12 | | | 13.0 (.512) | 32.0(1.260) | 68.0(2.677) | 32.0(1.260) | | | | | | |
| | 1/2 | 14 | 80-14 | | | 15.0 (.591) | 32.0(1.260) | 68.0(2.677) | 32.0(1.260) | | | | | | |
| | 5/8 | 16 | 80-16 | | | 17.0 (.669) | 32.0(1.260) | 68.0(2.677) | 32.0(1.260) | | | | | | |
| | 11/16 | 18 | 80-18 | | | 19.0 (.748) | 32.0(1.260) | 68.0(2.677) | 32.0(1.260) | | | | | | |
| | 3/4 | 20 | 80-20 | | | 21.0 (.827) | 32.0(1.260) | 68.0(2.677) | 32.0(1.260) | | | | | | |
| | 4/0 (96.3 to 117.2) | 1/4 | 6 | 100-6 | | | UL CSA SP JIS | 6.4 (.252) | 28.5(1.122) | | | | | | |
| 5/16 | | 8 | 100-8 | | 8.4 (.331) | 28.5(1.122) | | 55.6(2.189) | 20.4 (.803) | | | | | | |
| 5/16 | | 8 | 100-L8 | | 8.4 (.331) | 32.0(1.260) | | 69.0(2.717) | 32.0(1.260) | | | | | | |
| 3/8 | | 9 | 100-9 | | 9.8 (.386) | 28.5(1.122) | | 55.6(2.189) | 20.4 (.803) | | | | | | |
| 3/8 | | 10 | 100-10 | R100-10 | 10.5 (.413) | 28.5(1.122) | | 55.6(2.189) | 20.4 (.803) | | | | | | |
| 3/8 | | 10 | 100-L10 | | 10.5 (.413) | 32.0(1.260) | | 69.0(2.717) | 32.0(1.260) | | | | | | |
| 1/2 | | 12 | 100-12 | R100-12 | 13.0 (.512) | 28.5(1.122) | | 55.6(2.189) | 20.4 (.803) | | | | | | |
| 1/2 | | 12 | 100-L12 | | 13.0 (.512) | 32.0(1.260) | | 69.0(2.717) | 32.0(1.260) | | | | | | |
| 1/2 | | 14 | 100-14 | R100-14 | 15.0 (.591) | 32.0(1.260) | | 69.0(2.717) | 32.0(1.260) | | | | | | |
| 5/8 | | 16 | 100-16 | R100-16 | 17.0 (.669) | 32.0(1.260) | | 69.0(2.717) | 32.0(1.260) | | | | | | |
| 7/8 | 22 | 100-22 | | 23.0 (.906) | 32.0(1.260) | 69.0(2.717) | 32.0(1.260) | | | | | | | | |

Note: 1) Products with the JIS mark (JIS) conform to JIS C2805.
 2) Part numbers containing "S0" or "L0" do not have stud holes.

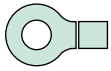
Solderless terminals

RING TONGUE (R type) Non-insulated

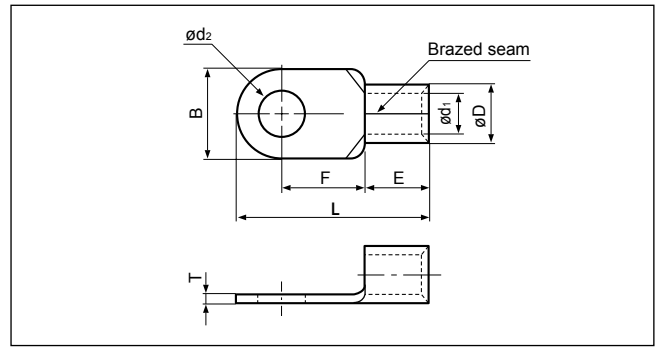
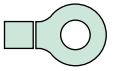


| Applicable Wire AWG#(mm ²) | Stud size | | Part No. | Standard | Dimensions mm (in.) | | | | | | | | Tool No. | Qty/box |
|---|------------------------------|--------|----------|--------------|---------------------|-------------|-------------|-------------|-----------------|-----------------|----------------|---------------|---|---------|
| | American | Metric | | | ød2 | B | L | F | E | øD | ød1 | T | | |
| 250/300 (117.2 to 152.05) | - | - | 150-L0 | | - | 36.0(1.417) | 81.0(3.189) | 36.0(1.417) | 27.0 (1.063) | 26.5 (1.043) | 19.5 (.768) | 3.2 (.126) | YPT-150-1 BCT-8150L YF-1 E-4 YET-150-1 EP-1 YF-1 YET-300-1 E-4 YET-300N | 20 |
| | 1/4 | 6 | 150-6 | UL ULTEF | 6.4 (.252) | 36.0(1.417) | 66.0(2.600) | 23.0 (.906) | | | | | | |
| | 5/16 | 8 | 150-8 | UL ULTEF | 8.4 (.331) | 36.0(1.417) | 66.0(2.600) | 23.0 (.906) | | | | | | |
| | 5/16 | 8 | 150-L8 | | 8.4 (.331) | 36.0(1.417) | 81.0(3.189) | 36.0(1.417) | | | | | | |
| | 3/8 | 10 | R150-10 | UL ULTEF | 10.5 (.413) | 36.0(1.417) | 66.0(2.600) | 21.0 (.827) | | | | | | |
| | 3/8 | 10 | 150-10 | UL ULTEF | 10.5 (.413) | 36.0(1.417) | 66.0(2.600) | 23.0 (.906) | | | | | | |
| | 3/8 | 10 | 150-L10 | UL ULTEF | 10.5 (.413) | 36.0(1.417) | 81.0(3.189) | 36.0(1.417) | | | | | | |
| | 7/16 | 11 | 150-11 | | 11.5 (.453) | 36.0(1.417) | 66.0(2.600) | 23.0 (.906) | | | | | | |
| | 1/2 | 12 | R150-12 | UL ULTEF | 13.0 (.512) | 36.0(1.417) | 66.0(2.600) | 21.0 (.827) | | | | | | |
| | 1/2 | 12 | 150-12 | UL ULTEF | 13.0 (.512) | 36.0(1.417) | 66.0(2.600) | 23.0 (.906) | | | | | | |
| | 1/2 | 12 | 150-L12 | UL ULTEF | 13.0 (.512) | 36.0(1.417) | 81.0(3.189) | 36.0(1.417) | | | | | | |
| | 1/2 | 14 | R150-14 | UL ULTEF | 15.0 (.591) | 36.0(1.417) | 68.0(2.677) | 23.0 (.906) | | | | | | |
| | 5/8 | 16 | 150-16 | UL ULTEF | 17.0 (.669) | 36.0(1.417) | 66.0(2.600) | 23.0 (.906) | | | | | | |
| | 5/8 | 16 | R150-16 | UL ULTEF | 17.0 (.669) | 36.0(1.417) | 68.0(2.677) | 23.0 (.906) | | | | | | |
| | 5/8 | 16 | 150-L16 | UL ULTEF | 17.0 (.669) | 36.0(1.417) | 81.0(3.189) | 36.0(1.417) | | | | | | |
| | 11/16 | 18 | R150-18 | UL ULTEF | 19.0 (.748) | 36.0(1.417) | 81.0(3.189) | 36.0(1.417) | | | | | | |
| | 3/4 | 20 | R150-20 | UL ULTEF | 21.0 (.827) | 36.0(1.417) | 81.0(3.189) | 36.0(1.417) | | | | | | |
| | 350 (152.05 to 192.60) | 7/8 | 22 | 150-22 | | 23.0 (.906) | 36.0(1.417) | 81.0(3.189) | | | | | | |
| 15/16 | | 24 | 150-24 | UL ULTEF | 25.0 (.984) | 36.0(1.417) | 81.0(3.189) | 36.0(1.417) | | | | | | |
| 1 | | 27 | 150-27 | | 28.0(1.102) | 36.0(1.417) | 81.0(3.189) | 36.0(1.417) | | | | | | |
| 5/16 | | 8 | 180-8 | | 8.4 (.331) | 38.5(1.516) | 69.0(2.717) | 24.5 (.965) | | | | | | |
| 5/16 | | 8 | 180-L8 | | 8.4 (.331) | 38.5(1.516) | 86.8(3.417) | 39.0(1.535) | | | | | | |
| 3/8 | | 10 | 180-10 | | 10.5 (.413) | 38.5(1.516) | 69.0(2.717) | 24.5 (.965) | | | | | | |
| 3/8 | | 10 | 180-L10 | | 10.5 (.413) | 38.5(1.516) | 86.8(3.417) | 39.0(1.535) | | | | | | |
| 7/16 | | 11 | 180-11 | | 1.5 (.453) | 38.5(1.516) | 69.0(2.717) | 24.5 (.965) | | | | | | |
| 1/2 | | 12 | 180-12 | | 13.0 (.512) | 38.5(1.516) | 69.0(2.717) | 24.5 (.965) | | | | | | |
| 1/2 | | 12 | 180-L12 | UL ULTEF | 13.0 (.512) | 38.5(1.516) | 86.8(3.417) | 39.0(1.535) | | | | | | |
| 1/2 | | 14 | 180-14 | UL ULTEF | 15.0 (.591) | 38.5(1.516) | 69.0(2.717) | 24.5 (.965) | | | | | | |
| 5/8 | | 16 | 180-L16 | UL ULTEF | 17.0 (.669) | 38.5(1.516) | 86.8(3.417) | 39.0(1.535) | | | | | | |
| 5/8 | | 16 | 180-16 | UL ULTEF | 17.0 (.669) | 38.5(1.516) | 69.0(2.717) | 24.5 (.965) | | | | | | |
| 11/16 | | 18 | 180-18 | | 19.0 (.748) | 38.5(1.516) | 86.8(3.417) | 39.0(1.535) | | | | | | |
| 3/4 | | 20 | 180-20 | | 21.0 (.827) | 38.5(1.516) | 86.8(3.417) | 39.0(1.535) | | | | | | |
| 7/8 | 22 | 180-22 | | 23.0 (.906) | 38.5(1.516) | 86.8(3.417) | 39.0(1.535) | | | | | | | |
| 15/16 | 24 | 180-24 | | 25.0 (.984) | 38.5(1.516) | 86.8(3.417) | 39.0(1.535) | | | | | | | |
| 1 | 27 | 180-27 | | 28.0 (1.102) | 38.5(1.516) | 86.8(3.417) | 39.0(1.535) | | | | | | | |

Note: 1) Products with the JIS mark conform to JIS C2805.
 2) Part numbers containing "S0" or "L0" do not have stud holes.
 3) Delivery lead times may vary depending on the product. Contact JST for details.



RING TONGUE (R type) Non-insulated



| Applicable Wire AWG#(mm ²) | Stud size | | Part No. | Standard | Dimensions mm (in.) | | | | | | | Tool No. | Qty/box | |
|---|-----------|---------|----------|-------------|---------------------|-------------|--------------|-------------|-----------------|-----------------|-----------------|---------------|--------------------------------|----|
| | American | Metric | | | ϕd_2 | B | L | F | E | ϕD | ϕd_1 | | | T |
| 400 (192.60 to 242.27) | - | - | 200-L0 | | - | 44.0(1.732) | 91.0(3.583) | 37.5(1.476) | 31.5 (1.240) | 32.7 (1.287) | 24.0 (.945) | 4.0 (.157) | YF-1 YET-300-1 E-4 YET-300N | 10 |
| | 12/16 | 8 | 200-8 | | 8.4 (.331) | 44.0(1.732) | 72.0(2.835) | 24.5 (.965) | | | | | | |
| | 5/16 | 8 | 200-L8 | | 8.4 (.331) | 44.0(1.732) | 72.0(2.835) | 24.5 (.965) | | | | | | |
| | 3/8 | 10 | 200-10 | UL SF | 10.5 (.413) | 44.0(1.732) | 72.0(2.835) | 24.5 (.965) | | | | | | |
| | 3/8 | 10 | 200-L10 | | 10.5 (.413) | 44.0(1.732) | 91.0(3.583) | 37.5(1.476) | | | | | | |
| | 7/16 | 11 | 200-11 | | 11.5 (.453) | 44.0(1.732) | 72.0(2.835) | 24.5 (.965) | | | | | | |
| | 1/2 | 12 | 200-12 | | 13.0 (.512) | 44.0(1.732) | 72.0(2.835) | 24.5 (.965) | | | | | | |
| | 1/2 | 12 | R200-12 | UL SF JIS | 13.0 (.512) | 44.0(1.732) | 78.0(3.071) | 24.5 (.965) | | | | | | |
| | 1/2 | 12 | 200-L12 | | 13.0 (.512) | 44.0(1.732) | 91.0(3.583) | 37.5(1.476) | | | | | | |
| | 1/2 | 14 | 200-14 | UL SF | 15.0 (.591) | 44.0(1.732) | 72.0(2.835) | 24.5 (.965) | | | | | | |
| | 1/2 | 14 | R200-14 | UL SF JIS | 15.0 (.591) | 44.0(1.732) | 78.0(3.071) | 24.5 (.965) | | | | | | |
| | 5/8 | 16 | 200-16 | UL SF | 17.0 (.669) | 44.0(1.732) | 72.0(2.835) | 24.5 (.965) | | | | | | |
| | 5/8 | 16 | R200-16 | UL SF JIS | 17.0 (.669) | 44.0(1.732) | 78.0(3.071) | 24.5 (.965) | | | | | | |
| | 5/8 | 16 | 200-L16 | UL SF | 17.0 (.669) | 44.0(1.732) | 91.0(3.583) | 37.5(1.476) | | | | | | |
| | 11/16 | 18 | R200-18 | | 19.0 (.748) | 44.0(1.732) | 91.0(3.583) | 37.5(1.476) | | | | | | |
| | 3/4 | 20 | R200-20 | | 21.0 (.827) | 44.0(1.732) | 91.0(3.583) | 37.5(1.476) | | | | | | |
| | 7/8 | 22 | R200-22 | UL SF JIS | 23.0 (.906) | 44.0(1.732) | 91.0(3.583) | 37.5(1.476) | | | | | | |
| | 15/16 | 24 | R200-24 | | 25.0 (.984) | 44.0(1.732) | 91.0(3.583) | 37.5(1.476) | | | | | | |
| 1 | 27 | R200-27 | | 28.0(1.102) | 44.0(1.732) | 91.0(3.583) | 37.5(1.476) | | | | | | | |
| N.A. (250) | 1/2 | 12 | 250-12 | | 13.0 (.512) | 44.0(1.732) | 78.0(3.071) | 24.5 (.965) | 31.5 (1.240) | 35.6 (1.402) | 26.0 (1.024) | 4.5 (.177) | YF-1 YET-300-1 E-4 YET-300N | |
| | 1/2 | 14 | 250-14 | | 15.0 (.591) | | | | | | | | | |
| | 5/8 | 16 | 250-16 | | 17.0 (.669) | | | | | | | | | |
| 600/650 (242.27 to 325) | - | - | 325-L0 | | - | 50.5(1.988) | 105.7(4.161) | 45.0(1.772) | 35.5 (1.398) | 37.6 (1.480) | 28.0 (1.102) | 4.5 (.177) | YF-1 YET-300-1 E-4 YET-300N | 5 |
| | 12/16 | 8 | 325-8 | | 8.4 (.331) | 50.5(1.988) | 88.0(3.465) | 33.5(1.319) | | | | | | |
| | 5/16 | 8 | 325-L8 | | 8.4 (.331) | 50.5(1.988) | 105.7(4.161) | 45.0(1.772) | | | | | | |
| | 3/8 | 10 | 325-10 | | 10.5 (.413) | 50.5(1.988) | 88.0(3.465) | 33.5(1.319) | | | | | | |
| | 3/8 | 10 | 325-L10 | | 10.5 (.413) | 50.5(1.988) | 105.7(4.161) | 45.0(1.772) | | | | | | |
| | 7/16 | 11 | 325-11 | UL SF | 11.5 (.453) | 50.5(1.988) | 88.0(3.465) | 33.5(1.319) | | | | | | |
| | 1/2 | 12 | 325-12 | | 13.0 (.512) | 50.5(1.988) | 88.0(3.465) | 33.5(1.319) | | | | | | |
| | 1/2 | 12 | 325-L12 | | 13.0 (.512) | 50.5(1.988) | 105.7(4.161) | 45.0(1.772) | | | | | | |
| | 1/2 | 14 | 325-14 | | 15.0 (.591) | 50.5(1.988) | 88.0(3.465) | 33.5(1.319) | | | | | | |
| | 5/8 | 16 | 325-16 | | 17.0 (.669) | 50.5(1.988) | 88.0(3.465) | 33.5(1.319) | | | | | | |
| | 5/8 | 16 | R325-16 | UL SF JIS | 17.0 (.669) | 50.5(1.988) | 94.2(3.709) | 33.5(1.319) | | | | | | |
| | 5/8 | 16 | 325-L16 | | 17.0 (.669) | 50.5(1.988) | 105.7(4.161) | 45.0(1.772) | | | | | | |
| | 11/16 | 18 | 325-M18 | UL SF | 19.0 (.748) | 50.5(1.988) | 94.2(3.709) | 33.5(1.319) | | | | | | |
| | 11/16 | 18 | R325-18 | | 19.0 (.748) | 50.5(1.988) | 105.7(4.161) | 45.0(1.772) | | | | | | |
| | 3/4 | 20 | R325-20 | | 21.0 (.827) | 50.5(1.988) | 105.7(4.161) | 45.0(1.772) | | | | | | |
| | 7/8 | 22 | R325-22 | UL SF JIS | 23.0 (.906) | 50.5(1.988) | 105.7(4.161) | 45.0(1.772) | | | | | | |
| | 15/16 | 24 | R325-24 | | 25.0 (.984) | 50.5(1.988) | 105.7(4.161) | 45.0(1.772) | | | | | | |
| | 1 | 27 | R325-27 | | 28.0(1.102) | 50.5(1.988) | 105.7(4.161) | 45.0(1.772) | | | | | | |

Note: 1) Products with the JIS mark conform to JIS C2805.
 2) Part numbers containing "S0" or "L0" do not have stud holes.
 3) Delivery lead times may vary depending on the product. Contact JST for details.